

Terminal Boxes

Series 8150



12667E00

- > Enclosures made of stainless steel, brush finished 1.4301 (AISI 304) or 1.4404 (AISI 316L)
- > Optionally with hinges / cam lock or screw-on cover
- > Hinge versions with large opening angle 130°
- > Extended ambient temperature range due to high-quality seal materials
- > Circumferential protection channel prevents water entry
- > External earth connection M8
- > Flange plate tightened from the outside enables simple installation
- > Degree of protection IP66



E4

	ATEX / IECEx						NEC 505						NEC 506						NEC 500						
	0	1	2	20	21	22	Class I						Class II						Class III						
Zone							0	1	2	20	21	22	0	1	2	20	21	22	Division	1	2	1	2	1	2
For use in		x	x		x	x		x	x					x	x				For use in		x				

WebCode 8150A

Terminal Boxes

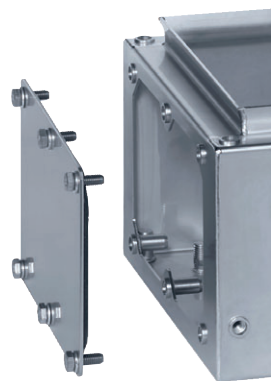
Series 8150

Advantages of the 8150 series



The new shape of the drainage edges allows quick water drainage and prevents standing water from accumulating around the seal. This solution helps to increase the safety inside the enclosure.

12660E00



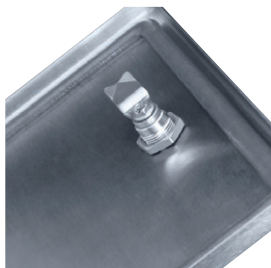
The flange plate mounted from the outside is another advantage of this enclosure: This guarantees a perfect accessibility - even if the cables are already built-in.

13128E00



The large opening angle provides comfortable access and enables easy and fast work.

13130E00



If regular access to the enclosure is required, the version equipped with a cam lock (or a hinge) is recommended.

12659E00



The M8 earth connection is already included in the delivery. In addition, there are different mounting possibilities.

13129E00

Terminal Boxes

Series 8150

Advantages of the 8150 series



The locking device is used to lock the sash locks by way of a padlock. These can be easily mounted and retrofitted.

16639E00



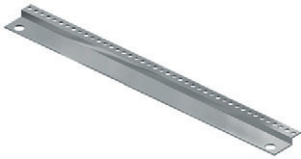
Enclosures that are opened from the top must be provided with a cover support. These make it possible to hold the enclosure cover open in different positions.

16636E00



The modular construction design of the sunroof system allows several enclosures to be covered simultaneously. This sunroof system can be retrofitted at any time. The bayonet hanging system enables quick and easy mounting.

16959E00



The terminal box is optionally available with interior construction on Z rails or with mounting rails made from 1.4404 stainless steel (AISI316L).

17721E00



17812E00



Label holder bridge for subsequent retrofitting of labels. The label holder is available on request, allowing easier on-site mounting of labels. The label holder is available in various sizes.

17813E00

Terminal Boxes

Series 8150

Order number supplement

8150/1-.....	Ex e or Ex e ia/ib version
8150/2-.....	Ex i version
8150/-.....	Dimension side C/D
8150/-.....	Dimension side A/B
	<div style="display: flex; justify-content: space-around;"> <div style="text-align: center;"> <p>without hinge</p> <p>13020E00</p> </div> <div style="text-align: center;"> <p>13021E00</p> </div> <div style="text-align: center;"> <p>with hinge</p> <p>13022E00</p> </div> <div style="text-align: center;"> <p>13023E00</p> </div> </div> <p>I = hinge</p>
8150/-.....-091-....	Depth 91 mm
8150/-.....-150-....	Depth 150 mm
8150/-.....-190-....	Depth 190 mm
8150/-.....-230-....	Depth 230 mm
8150/-.....-2...-	Stainless steel 1.4301
8150/-.....-3...-	Stainless steel 1.4404
8150/-.....-3..-	Brushed (line pattern)
8150/-.....-1.-	Cover fixed with screws
8150/-.....-2.-	Cover with hinge and sash lock

Enclosure height

	91 mm	150 mm	190 mm	230 mm	With hinge
	8150/-.....-091-3.1	8150/-.....-150-3.1	8150/-.....-190-3.1	8150/-.....-230-3.1	
8150/-0116-0116-....-311	x				
8150/-0176-0116-....-311	x				
8150/-0176-0176-....-311	x				
8150/-0236-0176-....-311	x	x			
8150/-0176-0236-....-3.1		x			x
8150/-0300-0200-....-3.1		x			x
8150/-0200-0300-....-3.1		x			x
8150/-0360-0176-....-311	x	x			
8150/-0176-0360-....-3.1		x			x
8150/-0360-0360-....-3.1	x	x	x	x ¹⁾	x
8150/-0400-0300-....-3.1		x ¹⁾		x	x
8150/-0300-0400-....-3.1		x		x	x
8150/-0400-0400-....-3.1		x ³⁾		x ³⁾	x
8150/-0550-0360-....-3.1				x	x
8150/-0360-0550-....-321				x ²⁾	x
8150/-0600-0400-....-3.1		x ¹⁾		x	x
8150/-0400-0600-....-3.1		x		x	x
8150/-0727-0360-....-311	x	x	x		
8150/-0360-0727-....-321		x ²⁾	x ²⁾		x
8150/-0600-0600-....-3.1		x		x	x
8150/-0787-0480-....-321				x	x
8150/-0480-0787-....-3.1				x ²⁾	x

x = available
¹⁾ = without hinge
²⁾ = only with hinge
³⁾ = Depth 300

Terminal Boxes

Series 8150

Version 116 x 116 and 176 x 116 (horizontal)

Terminal box up to 35 mm²

Nominal cross-section [mm ²]	Max. number of terminals																					
	Wago																					
Colour	2.5				4									6			10					
Number of conductors per terminal	GY	BU	PE	PE	GY	OG	BU	PE	GY	PE	GY	BU	PE	GY	BU	PE	GY	PE	GY	BU	PE	
8150/-0116-0116-...-3.1	1	14	14	14	14	11	11	11	11	-	-	11	11	11	9	9	9	-	-	-	-	-
8150/-0176-0116-...-3.1	1	17	17	17	17	14	14	14	14	-	-	14	14	14	12	12	12	-	-	-	-	-

Note

Plain text information	Order numbers for enclosures with mounting rails and PE or PA rails
Cable entry	Terminal block: Number and type
Flanges	Number, type and installation side in enclosure
Terminals	can be installed acc. to order; please indicate the enclosure side on which they are to be equipped
Available enclosure depths	Phoenix; Weidmüller available on request
Terminal boxes equipped with terminals > 35 to 300 mm ² on request	91 mm

Table showing the max. number of possible entries of the enclosure using cable glands series 8161

W x H	without flange				Flange		W x H	without flange				Flange	
	A	B	C	D	A/B	C/D		A	B	C	D	A/B	C/D
116 x 116							176 x 116						
M16 x 1.5	6	6	5	5	-	-	M16 x 1.5	6	6	12	12	-	-
M20 x 1.5	4	4	3	3	-	-	M20 x 1.5	4	4	8	8	-	-
M25 x 1.5	2	2	2	2	-	-	M25 x 1.5	2	2	4	4	-	-
M32 x 1.5	1	1	1	1	-	-	M32 x 1.5	1	1	3	3	-	-
M40 x 1.5	1	1	1	1	-	-	M40 x 1.5	1	1	2	2	-	-
M50 x 1.5	-	-	-	-	-	-	M50 x 1.5	-	-	-	-	-	-
M63 x 1.5	-	-	-	-	-	-	M63 x 1.5	-	-	-	-	-	-

Dimensional Drawing (All Dimensions in mm) - Subject to Alterations

Dimensions in mm	Depth 91 mm	Dimensions in mm	Depth 91 mm
a1	76	a1	136
a2	76	a2	76
b1	152	b1	212
b2	152	b2	152
c1	168	c1	228
c2	168	c2	168
E	116,5	E	176,5
F	116,5	F	116,5
G	91	G	91
H	106	H	106


Type 8150/-0116-0116-...-3.1 Type 8150/-0176-0116-091-...1.

Terminal Boxes

Series 8150

Version 176 x 176

Terminal box up to 35 mm²

Nominal cross-section [mm ²]	Max. number of terminals																		
	Wago																		
2.5					4				6				10						
Colour	GY	BU	PE	PE	GY	OG	BU	PE	GY	PE	GY	BU	PE	GY	BU	PE	GY	PE	
Number of conductors per terminal	2	2	2	3	2	2	2	2	4	4	3	3	3	2	2	2	3	4	
Mounting rail placement																			
12970E00	Number of mounting rails																		
	2001 - 1201	2001 - 1204	2001 - 1207	2001 - 1307	2002 - 1201	2002 - 1202	2002 - 1204	2002 - 1207	2002 - 1401	2002 - 1407	2002 - 1301	2002 - 1304	2002 - 1307	2004 - 1201	2004 - 1204	2004 - 1207	2004 - 1301	2004 - 1407	
8150/-0176-0176-...-3.1	1	23	23	23	23	19	19	19	19	19	19	19	19	19	16	16	16	16	16


Note

Order numbers for enclosures with mounting rails and PE or PA rails	
Plain text information	Terminal block: Number and type
Cable entry	Number, type and installation side in enclosure
Flanges	can be installed acc. to order; please indicate the enclosure side on which they are to be equipped
Terminals	Phoenix; Weidmüller available on request
Available enclosure depths	91 mm

Terminal boxes equipped with terminals > 35 to 300 mm² on request

Table showing the max. number of possible entries of the enclosure using cable glands series 8161

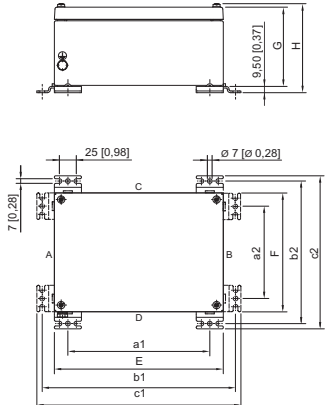
W x H	without flange				Flange	
	A	B	C	D	A/B	C/D
176 x 176						
M16 x 1.5	11	11	12	12	-	-
M20 x 1.5	8	8	8	8	-	-
M25 x 1.5	4	4	4	4	-	-
M32 x 1.5	3	3	3	3	-	-
M40 x 1.5	2	2	2	2	-	-
M50 x 1.5	-	-	-	-	-	-
M63 x 1.5	-	-	-	-	-	-

 05864E00

D = Ø1 mm

Dimensional Drawing (All Dimensions in mm) - Subject to Alterations

Dimensions in mm	Depth
	91 mm
a1	136
a2	136
b1	212
b2	212
c1	228
c2	228
E	176.5
F	176.5
G	91
H	106



12648E00

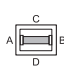
Type 8150/-0176-0176-091-...1.

Terminal Boxes

Series 8150

Version 236 x 176 (horizontal)

Terminal box up to 35 mm²

Nominal cross-section [mm ²]	Max. number of terminals																						
	Wago																						
Colour	2,5				4									6			10						
Number of conductors per terminal	GY	BU	PE	PE	GY	OG	BU	PE	GY	PE	GY	BU	PE	GY	BU	PE	GY	PE	GY	BU	PE		
2	2	2	2	3	2	2	2	2	4	4	3	3	3	2	2	2	3	4	2	2	2		
3																							
4																							
6																							
10																							
Mounting rail placement	 12969E00																						
8150/-0236-0176-...-3.1	1	37	37	37	37	27	27	27	27	27	27	27	27	27	27	23	23	23	23	23	21	21	21

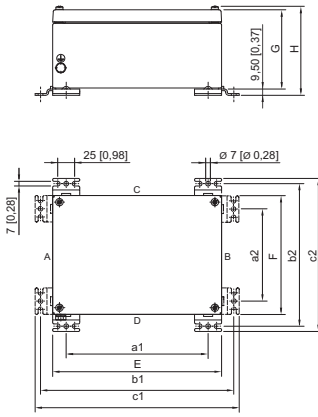
Note

Order numbers for enclosures with mounting rails and PE or PA rails	
Plain text information	Terminal block: Number and type
Cable entry	Number, type and installation side in enclosure
Flanges	can be installed acc. to order; please indicate the enclosure side on which they are to be equipped
Terminals	Phoenix; Weidmüller available on request
Available enclosure depths	91 mm; 150 mm
Terminal boxes equipped with terminals > 35 to 300 mm ² on request	

Table showing the max. number of possible entries of the enclosure using cable glands series 8161

W x H	without flange				Flange		W x H	without flange				Flange	
	A	B	C	D	A/B	C/D		A	B	C	D	A/B	C/D
236 x 176							236 x 176						
M16 x 1.5	11	11	14	14	-	4	M16 x 1.5	28	28	41	41	9	17
M20 x 1.5	8	8	11	11	-	4	M20 x 1.5	17	17	26	26	6	10
M25 x 1.5	4	4	5	5	-	2	M25 x 1.5	10	10	16	16	4	7
M32 x 1.5	3	3	4	4	-	-	M32 x 1.5	6	6	10	10	2	5
M40 x 1.5	2	2	3	3	-	-	M40 x 1.5	4	4	6	6	1	3
M50 x 1.5	-	-	-	-	-	-	M50 x 1.5	3	3	4	4	1	2
M63 x 1.5	-	-	-	-	-	-	M63 x 1.5	2	2	2	2	-	2

Dimensional Drawing (All Dimensions in mm) - Subject to Alterations



Dimensions in mm	Depth	
	91 mm	150 mm
a1	196	196
a2	136	136
b1	272	272
b2	212	212
c1	288	288
c2	228	228
E	236.5	236.5
F	176.5	176.5
G	91	150
H	106	165

12648E00

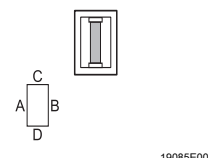
Type 8150/-0236-0176-091-...1. and 8150/-0236-0176-150-...1.

Terminal Boxes

Series 8150

Version 176 x 236 (vertical)

Terminal box up to 35 mm²

Nominal cross-section [mm ²]	Max. number of terminals																					
	Wago																					
2.5	4						6						10									
Colour	GY	BU	PE	PE	GY	OG	BU	PE	GY	PE	GY	BU	PE	GY	BU	PE	GY	PE				
Number of conductors per terminal	2	2	2	3	2	2	2	2	4	4	3	3	3	2	2	2	3	4	2	2	2	
Mounting rail placement																						
	19085E00	Number of mounting rails																				
		2001 - 1201	2001 - 1204	2001 - 1207	2001 - 1307	2002 - 1201	2002 - 1202	2002 - 1204	2002 - 1207	2002 - 1401	2002 - 1407	2002 - 1301	2002 - 1304	2002 - 1307	2004 - 1201	2004 - 1204	2004 - 1207	2004 - 1301	2004 - 1407	2006 - 1201	2006 - 1204	2006 - 1207
8150/-0176-0236-...-3.1	1	37	37	37	37	27	27	27	27	27	27	27	27	27	23	23	23	23	23	21	21	21

Note

	Order numbers for enclosures with mounting rails and PE or PA rails
Plain text information	Terminal block: Number and type
Cable entry	Number, type and installation side in enclosure
Flanges	can be installed acc. to order; please indicate the enclosure side on which they are to be equipped
Terminals	Phoenix; Weidmüller available on request
Available enclosure depths	150 mm

Terminal boxes equipped with terminals > 35 to 300 mm² on request

Table showing the max. number of possible entries of the enclosure using cable glands series 8161

W x H	without flange				Flange	
	A	B	C	D	A/B	C/D
176 x 236						
M16 x 1.5	67	67	28	28		9
M20 x 1.5	42	42	17	17		6
M25 x 1.5	26	26	10	10		4
M32 x 1.5	19	19	6	6	a	2
M40 x 1.5	10	10	4	4		1
M50 x 1.5	6	6	3	3		1
M63 x 1.5	4	4	2	2		-

D = 150 mm
a = on request

Dimensional Drawings (all dimensions in mm) - Subject to alterations

Dimensions in mm	Depth	
	150 mm	150 mm*
a1	136	136
a2	196	196
b1	212	212
b2	272	272
c1	228	228
c2	288	288
E	176.5	176.5
F	236.5	236.5
G	150	150
H	165	163.5

12648E00

* with hinge or cam lock

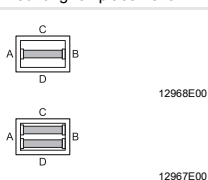
Type 8150/-0176-0236-150-..1.
Type 8150/-0176-0236-150-..2.*

Terminal Boxes

Series 8150

Version 300 x 200 (horizontal)

Terminal box up to 35 mm²

Nominal cross-section [mm ²]	Max. number of terminals																				
	Wago																				
Colour	2.5				4						6				10						
Number of conductors per terminal	GY	BU	PE	PE	GY	OG	BU	PE	GY	PE	GY	BU	PE	GY	BU	PE					
Mounting rail placement																					
8150/..-0300-0200-...-3.1	1	54	54	54	54	43	43	43	43	43	43	43	43	36	36	36	36				
8150/..-0300-0200-...-3.1	2	108	108	108	-	86	86	86	86	-	-	-	-	72	72	72	-	-	-	-	-

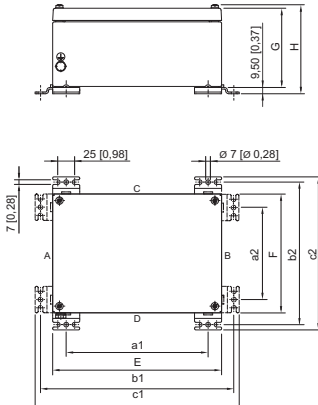
Note

Plain text information	Order numbers for enclosures with mounting rails and PE or PA rails
Cable entry	Terminal block: Number and type
Flanges	Number, type and installation side in enclosure
Terminals	can be installed acc. to order; please indicate the enclosure side on which they are to be equipped
Available enclosure depths	Phoenix; Weidmüller available on request
Terminal boxes equipped with terminals > 35 to 300 mm ² on request	150 mm

Table showing the max. number of possible entries of the enclosure using cable glands series 8161

W x H	without flange				Flange	
	A	B	C	D	A/B	C/D
300 x 200						
M16 x 1,5	33	33	54	54	9	17
M20 x 1,5	20	20	34	34	6	10
M25 x 1,5	12	12	21	21	4	7
M32 x 1,5	7	7	16	16	2	5
M40 x 1,5	5	5	8	8	1	3
M50 x 1,5	3	3	5	5	1	2
M63 x 1,5	2	2	3	3	-	2

Dimensional Drawings (all dimensions in mm) - Subject to alterations



Dimensions in mm	Depth	
	150 mm	150 mm*
a1	260	260
a2	160	160
b1	336	336
b2	236	236
c1	352	352
c2	252	252
E	300	300
F	200	200
G	150	150
H	165	163.5

Type 8150/..-0300-0200-150-..1.
Type 8150/..-0300-0200-150-..2.*

* with hinge or cam lock

Terminal Boxes

Series 8150

Version 200 x 300 (vertical)

Terminal box up to 35 mm²

Nominal cross-section [mm ²]	Max. number of terminals																				
	Wago																				
Colour	2.5			4									6			10					
Number of conductors per terminal	GY	BU	PE	PE	GY	OG	BU	PE	GY	PE	GY	BU	PE	GY	BU	PE	GY	PE			
2	2	2	2	3	2	2	2	2	4	4	3	3	3	2	2	2	3	4	2	2	2
3	2	2	2	3	2	2	2	2	4	4	3	3	3	2	2	2	3	4	2	2	2
4	2	2	2	3	2	2	2	2	4	4	3	3	3	2	2	2	3	4	2	2	2
6	2	2	2	3	2	2	2	2	4	4	3	3	3	2	2	2	3	4	2	2	2
10	2	2	2	3	2	2	2	2	4	4	3	3	3	2	2	2	3	4	2	2	2

Note

Order numbers for enclosures with mounting rails and PE or PA rails	
Plain text information	Terminal block: Number and type
Cable entry	Number, type and installation side in enclosure
Flanges	can be installed acc. to order; please indicate the enclosure side on which they are to be equipped
Terminals	Phoenix; Weidmüller available on request
Available enclosure depths	150 mm
Terminal boxes equipped with terminals > 35 to 300 mm ² on request	

Table showing the max. number of possible entries of the enclosure using cable glands series 8161

W x H	without flange				Flange	
	A	B	C	D	A/B	C/D
200 x 300						
M16 x 1.5	54	54	33	33	17	9
M20 x 1.5	34	34	20	20	10	6
M25 x 1.5	21	21	12	12	7	4
M32 x 1.5	16	16	7	7	5	2
M40 x 1.5	8	8	5	5	3	1
M50 x 1.5	5	5	3	3	2	1
M63 x 1.5	3	3	2	2	2	-

Dimensional Drawings (all dimensions in mm) - Subject to alterations

Dimensions in mm	Depth	
	150 mm	150 mm*
a1	160	160
a2	260	260
b1	236	236
b2	336	336
c1	252	252
c2	352	352
E	200	200
F	300	300
G	150	150
H	165	163.5

12848E00

Type 8150/-.0200-0300-150-..1.
Type 8150/-.0200-0300-150-..2.*

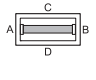
* with hinge or cam lock

Terminal Boxes

Series 8150

Version 360 x 176 (horizontal)

Terminal box up to 35 mm²

Nominal cross-section [mm ²]	Max. number of terminals																					
	Wago																					
Colour	2.5				4									6			10					
	GY	BU	PE	PE	GY	OG	BU	PE	GY	PE	GY	BU	PE	GY	BU	PE	GY	PE				
Number of conductors per terminal	2	2	2	3	2	2	2	2	4	4	3	3	3	2	2	2	3	4	2	2	2	
Mounting rail placement																						
	Number of mounting rails	2001 - 1201	2001 - 1204	2001 - 1207	2001 - 1307	2002 - 1201	2002 - 1202	2002 - 1204	2002 - 1207	2002 - 1401	2002 - 1407	2002 - 1301	2002 - 1304	2002 - 1307	2004 - 1201	2004 - 1204	2004 - 1207	2004 - 1301	2004 - 1407	2006 - 1201	2006 - 1204	2006 - 1207
8150/..-0360-0176-...-3.1	1	64	64	64	64	52	52	52	52	52	52	52	52	52	43	43	43	43	43	36	36	36

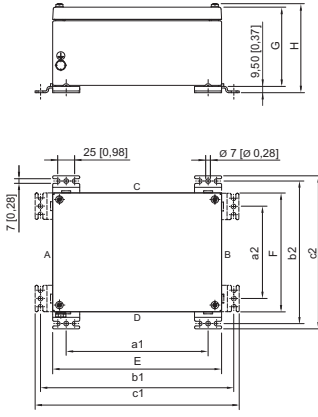
Note

	Order numbers for enclosures with mounting rails and PE or PA rails
Plain text information	Terminal block: Number and type
Cable entry	Number, type and installation side in enclosure
Flanges	can be installed acc. to order; please indicate the enclosure side on which they are to be equipped
Terminals	Phoenix; Weidmüller available on request
Available enclosure depths	91 mm; 150 mm
Terminal boxes equipped with terminals > 35 to 300 mm ² on request	

Table showing the max. number of possible entries of the enclosure using cable glands series 8161

W x H	without flange				Flange		W x H	without flange				Flange	
	A	B	C	D	A/B	C/D		A	B	C	D	A/B	C/D
360 x 176							360 x 176						
M16 x 1.5	11	11	27	27	-	9	M16 x 1.5	28	28	67	67	9	28
M20 x 1.5	8	8	20	20	-	6	M20 x 1.5	17	17	42	42	6	18
M25 x 1.5	4	4	10	10	-	6	M25 x 1.5	10	10	26	26	4	13
M32 x 1.5	3	3	7	7	-	-	M32 x 1.5	6	6	19	19	2	9
M40 x 1.5	2	2	5	5	-	-	M40 x 1.5	4	4	10	10	1	5
M50 x 1.5	-	-	-	-	-	-	M50 x 1.5	3	3	6	6	1	3
M63 x 1.5	-	-	-	-	-	-	M63 x 1.5	2	2	4	4	-	3

Dimensional Drawing (All Dimensions in mm) - Subject to Alterations

	Dimensions in mm	Depth
		91 mm
a1	320	320
a2	136	136
b1	396	396
b2	212	212
c1	412	412
c2	228	228
E	360	360
F	176.5	176.5
G	91	150
H	106	165

12648E00

Type 8150/..-0360-0176-091-..1. and 8150/..-0360-0176-150-..1.

Terminal Boxes

Series 8150

Version 176 x 360 (vertical)

Terminal box up to 35 mm²

Nominal cross-section [mm ²]	Max. number of terminals																	
	Wago																	
Colour	2.5				4				6				10					
Number of conductors per terminal	GY	BU	PE	PE	GY	OG	BU	PE	GY	PE	GY	BU	PE	GY	BU	PE	GY	PE
2	2	2	2	3	2	2	2	2	4	4	3	3	3	2	2	2	3	4
3	2	2	2	3	2	2	2	2	4	4	3	3	3	2	2	2	3	4
4	2	2	2	3	2	2	2	2	4	4	3	3	3	2	2	2	3	4
6	2	2	2	3	2	2	2	2	4	4	3	3	3	2	2	2	3	4
10	2	2	2	3	2	2	2	2	4	4	3	3	3	2	2	2	3	4

Note

Order numbers for enclosures with mounting rails and PE or PA rails	
Plain text information	Terminal block: Number and type
Cable entry	Number, type and installation side in enclosure
Flanges	can be installed acc. to order; please indicate the enclosure side on which they are to be equipped
Terminals	Phoenix; Weidmüller available on request
Available enclosure depths	150 mm
Terminal boxes equipped with terminals > 35 to 300 mm ² on request	

Table showing the max. number of possible entries of the enclosure using cable glands series 8161

W x H	without flange				Flange	
	A	B	C	D	A/B	C/D
176 x 360						
M16 x 1.5	67	67	28	28	28	9
M20 x 1.5	42	42	17	17	18	6
M25 x 1.5	26	26	10	10	13	4
M32 x 1.5	19	19	6	6	9	2
M40 x 1.5	10	10	4	4	5	1
M50 x 1.5	6	6	3	3	3	1
M63 x 1.5	4	4	2	2	3	-

Dimensional Drawings (all dimensions in mm) - Subject to alterations

12648E00

Dimensions in mm	Depth	
	150 mm	150 mm*
a1	136	136
a2	320	320
b1	212	212
b2	396	396
c1	228	228
c2	412	412
E	176.5	176.5
F	360	360
G	150	150
H	165	163.5

* with hinge or cam lock

Type 8150/-0176-0360-150-..1.
Type 8150/-0176-0360-150-..2.*

Terminal Boxes

Series 8150

Version 360 x 360

Terminal box up to 35 mm²

Nominal cross-section [mm ²]	Max. number of terminals																					
	Wago																					
Colour	2.5				4						6				10							
Number of conductors per terminal	GY	BU	PE	PE	GY	OG	BU	PE	GY	PE	GY	PE	GY	BU	PE	PE	GY	PE	GY	BU	PE	
8150/./-0360-0360-...-3.1	1	64	64	64	64	52	52	52	52	52	52	52	52	43	43	43	43	43	43	36	36	36
8150/./-0360-0360-...-3.1	2	128	128	128	128	104	104	104	104	104	104	104	104	86	86	86	86	86	86	72	72	72
8150/./-0360-0360-...-3.1	3	192	192	192	192	156	156	-	-	-	-	156	156	129	129	129	129	-	108	108	108	108

Note

Plain text information	Order numbers for enclosures with mounting rails and PE or PA rails
Cable entry	Terminal block: Number and type
Flanges	Number, type and installation side in enclosure
Terminals	can be installed acc. to order; please indicate the enclosure side on which they are to be equipped
Available enclosure depths	Phoenix; Weidmüller available on request
	91 mm; 150 mm; 190 mm; 230 mm
	Terminal boxes equipped with terminals > 35 to 300 mm ² on request

Table showing the max. number of possible entries of the enclosure using cable glands series 8161

W x H	without flange				Flange		W x H	without flange				Flange	
	A	B	C	D	A/B	C/D		A	B	C	D	A/B	C/D
360 x 360							360 x 360						
M16 x 1.5	27	27	27	27	9	9	M16 x 1.5	65	65	67	67	28	28
M20 x 1.5	20	20	20	20	6	6	M20 x 1.5	42	42	42	42	18	18
M25 x 1.5	10	10	10	10	6	6	M25 x 1.5	26	26	26	26	13	13
M32 x 1.5	7	7	7	7	-	-	M32 x 1.5	18	18	19	19	9	9
M40 x 1.5	5	5	5	5	-	-	M40 x 1.5	10	10	10	10	5	5
M50 x 1.5	-	-	-	-	-	-	M50 x 1.5	6	6	6	6	3	3
M63 x 1.5	-	-	-	-	-	-	M63 x 1.5	4	4	4	4	3	3

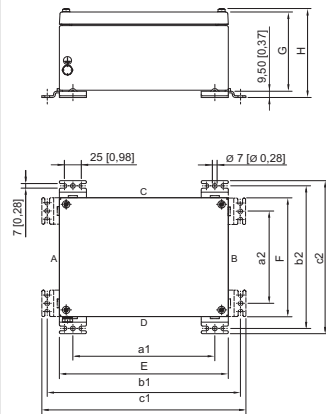
Note

Plain text information	Order numbers for enclosures with mounting rails and PE or PA rails
Cable entry	Terminal block: Number and type
Flanges	Number, type and installation side in enclosure
Terminals	can be installed acc. to order; please indicate the enclosure side on which they are to be equipped
Available enclosure depths	Phoenix; Weidmüller available on request
	91 mm; 150 mm; 190 mm; 230 mm
	Terminal boxes equipped with terminals > 35 to 300 mm ² on request

Terminal Boxes

Series 8150

Dimensional Drawings (all dimensions in mm) - Subject to alterations



Dimensions in mm	Depth						
	91 mm	150 mm	190 mm	230 mm	91 mm*	150 mm*	190 mm*
a1	320	320	320	320	320	320	320
a2	320	320	320	320	320	320	320
b1	396	396	396	396	396	396	396
b2	396	396	396	396	396	396	396
c1	412	412	412	412	412	412	412
c2	412	412	412	412	412	412	412
E	360	360	360	360	360	360	360
F	360	360	360	360	360	360	360
G	91	150	190	230	91	150	190
H	106	165	205	245	104.5	163.5	203.5

* with hinge or cam lock

12648E00

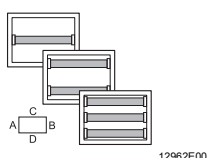
Type 8150/-0360-0360-091-..1., 8150/-0360-0360-150-..1., 8150/-0360-0360-190-..1. and 8150/-0360-0360-230-..1.
Type 8150/-0360-0360-091-..2.*, 8150/-0360-0360-150-..2.* and 8150/-0360-0360-190-..2.*

Terminal Boxes

Series 8150

Version 400 x 300 (horizontal)

Terminal box up to 35 mm²

Nominal cross-section [mm ²]	Max. number of terminals																					
	Wago																					
Colour	2.5				4						6				10							
	GY	BU	PE	PE	GY	OG	BU	PE	GY	PE	GY	BU	PE	GY	BU	PE	GY	PE				
Number of conductors per terminal	2	2	2	3	2	2	2	2	4	4	3	3	3	2	2	2	3	4	2	2	2	
Mounting rail placement																						
	Number of mounting rails	2001 - 1201	2001 - 1204	2001 - 1207	2001 - 1307	2002 - 1201	2002 - 1202	2002 - 1204	2002 - 1207	2002 - 1401	2002 - 1407	2002 - 1301	2002 - 1304	2002 - 1307	2004 - 1201	2004 - 1204	2004 - 1207	2004 - 1301	2004 - 1407	2006 - 1201	2006 - 1204	2006 - 1207
8150/..-0400-0300-...-3.1	1	78	78	78	78	63	63	63	63	63	63	63	63	63	52	52	52	52	52	43	43	43
8150/..-0400-0300-...-3.1	2	156	156	156	156	126	126	126	126	126	126	126	126	126	104	104	104	104	104	86	86	86
8150/..-0400-0300-...-3.1	3	234	234	234	-	189	189	189	189	-	-	-	-	-	-	-	-	-	-	-	-	-

Note

	Order numbers for enclosures with mounting rails and PE or PA rails
Plain text information	Terminal block: Number and type
Cable entry	Number, type and installation side in enclosure
Flanges	can be installed acc. to order; please indicate the enclosure side on which they are to be equipped
Terminals	Phoenix; Weidmüller available on request
Available enclosure depths	150 mm; 230 mm
Terminal boxes equipped with terminals > 35 to 300 mm ² on request	

Table showing the max. number of possible entries of the enclosure using cable glands series 8161

W x H	without flange				Flange		W x H	without flange				Flange	
	A	B	C	D	A/B	C/D		A	B	C	D	A/B	C/D
400 x 300							400 x 300						
M16 x 1.5	54	54	74	74	17	28	M16 x 1.5	91	91	123	123		69
M20 x 1.5	34	34	48	48	10	18	M20 x 1.5	59	59	85	85	a	44
M25 x 1.5	21	21	30	30	7	13	M25 x 1.5	43	43	60	60		28
M32 x 1.5	15	15	22	22	5	9	M32 x 1.5	27	27	39	39		20
M40 x 1.5	8	8	11	11	3	5	M40 x 1.5	15	15	22	22		10
M50 x 1.5	5	5	7	7	2	3	M50 x 1.5	9	9	14	14		8
M63 x 1.5	3	3	5	5	2	3	M63 x 1.5	6	6	9	9		6

a = on request

Dimensional Drawings (all dimensions in mm) - Subject to alterations

Dimensions in mm	Depth		
	150 mm	230 mm	230 mm*
a1	360	360	360
a2	260	260	260
b1	436	436	436
b2	336	336	336
c1	452	452	452
c2	352	352	352
E	400	400	400
F	300	300	300
G	150	230	230
H	165	245	243.5

* with hinge or cam lock

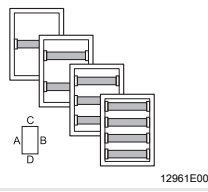
Type 8150/..-0400-0300-150-..1. and 8150/..-0400-0300-230-..1.
 Type 8150/..-0400-0300-230-..2.*

Terminal Boxes

Series 8150

Version 300 x 400 (vertical)

Terminal box up to 35 mm²

	Max. number of terminals																				
	Wago																				
Nominal cross-section [mm ²]	2.5				4						6						10				
Colour	GY	BU	PE	PE	GY	OG	BU	PE	GY	PE	GY	BU	PE	GY	BU	PE	GY	PE	GY	BU	PE
Number of conductors per terminal	2	2	2	3	2	2	2	2	4	4	3	3	3	2	2	2	3	4	2	2	2
Mounting rail placement	Number of mounting rails																				
																					
Order number	2001 - 1201	2001 - 1204	2001 - 1207	2001 - 1307	2002 - 1201	2002 - 1202	2002 - 1204	2002 - 1207	2002 - 1401	2002 - 1407	2002 - 1301	2002 - 1304	2002 - 1307	2004 - 1201	2004 - 1204	2004 - 1207	2004 - 1301	2004 - 1407	2006 - 1201	2006 - 1204	2006 - 1207
8150/-0300-0400-...-3.1	1	54	54	54	54	43	43	43	43	43	43	43	43	43	43	43	43	43	36	36	36
8150/-0300-0400-...-3.1	2	108	108	108	108	86	86	86	86	86	86	86	86	86	86	86	86	86	72	72	72
8150/-0300-0400-...-3.1	3	162	162	162	162	129	129	129	129	129	129	129	129	129	129	129	129	129	108	108	108
8150/-0300-0400-...-3.1	4	216	216	216	-	172	172	172	172	-	-	-	-	-	-	-	-	-	-	-	-

Note

	Order numbers for enclosures with mounting rails and PE or PA rails
Plain text information	Terminal block: Number and type
Cable entry	Number, type and installation side in enclosure
Flanges	can be installed acc. to order; please indicate the enclosure side on which they are to be equipped
Terminals	Phoenix; Weidmüller available on request
Available enclosure depths	150 mm; 230 mm
Terminal boxes equipped with terminals > 35 to 300 mm ² on request	

Table showing the max. number of possible entries of the enclosure using cable glands series 8161

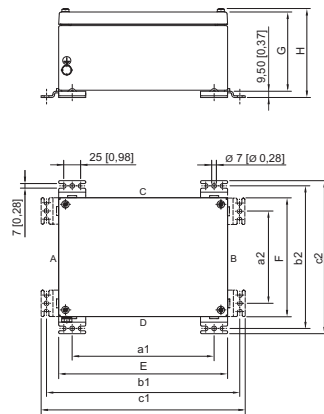
W x H	without flange				Flange		W x H	without flange				Flange	
	A	B	C	D	A/B	C/D		A	B	C	D	A/B	C/D
300 x 400							300 x 400						
M16 x 1.5	74	74	54	54	28	17	M16 x 1.5	123	123	91	91	69	
M20 x 1.5	48	48	34	34	18	10	M20 x 1.5	85	85	59	59	44	
M25 x 1.5	30	30	21	21	13	7	M25 x 1.5	60	60	43	43	28	a
M32 x 1.5	22	22	15	15	9	5	M32 x 1.5	39	39	27	27	20	
M40 x 1.5	11	11	8	8	5	3	M40 x 1.5	22	22	15	15	10	
M50 x 1.5	7	7	5	5	3	2	M50 x 1.5	14	14	9	9	8	
M63 x 1.5	5	5	3	3	3	2	M63 x 1.5	9	9	6	6	6	

a = on request

Terminal Boxes

Series 8150

Dimensional Drawings (all dimensions in mm) - Subject to alterations



Dimensions in mm	Depth			
	150 mm	230 mm	150 mm*	230 mm*
a1	260	260	260	260
a2	360	360	360	360
b1	336	336	336	336
b2	436	436	436	436
c1	352	352	352	352
c2	452	452	452	452
E	300	300	300	300
F	400	400	400	400
G	150	230	150	230
H	165	245	163.5	243.5

12648E00

Type 8150/-.0300-0400-150-..1. and 8150/-.0300-0400-230-..1.
 Type 8150/-.0300-0400-150-..2. and 8150/-.0300-0400-230-..2.*

* with hinge or cam lock

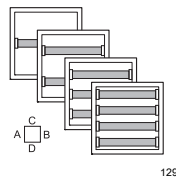
E4

Terminal Boxes

Series 8150

Version 400 x 400

Terminal box up to 35 mm²

Nominal cross-section [mm ²]	Max. number of terminals																					
	Wago																					
Colour	2.5				4						6						10					
Number of conductors per terminal	GY	BU	PE	PE	GY	OG	BU	PE	GY	PE	GY	BU	PE	GY	BU	PE	GY	PE	GY	BU	PE	
2	2	2	2	3	2	2	2	2	4	4	3	3	3	2	2	2	3	4	2	2	2	
3	2	2	2	3	2	2	2	2	4	4	3	3	3	2	2	2	3	4	2	2	2	
4	2	2	2	3	2	2	2	2	4	4	3	3	3	2	2	2	3	4	2	2	2	
Mounting rail placement																						
8150/-0400-0400-...-3.1	1	78	78	78	78	63	63	63	63	63	63	63	63	63	52	52	52	52	52	43	43	43
8150/-0400-0400-...-3.1	2	156	156	156	156	126	126	126	126	126	126	126	126	126	104	104	104	104	104	86	86	86
8150/-0400-0400-...-3.1	3	234	234	234	234	189	189	189	189	189	189	189	189	189	156	156	156	156	156	129	129	129
8150/-0400-0400-...-3.1	4	312	312	312	-	252	252	252	252	-	-	-	-	-	-	-	-	-	-	-	-	-

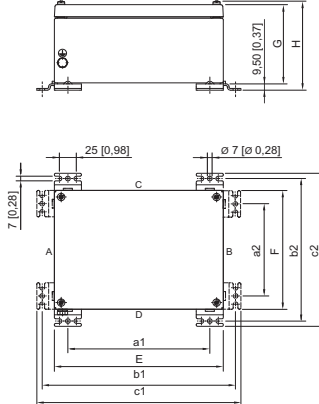
Note

Order numbers for enclosures with mounting rails and PE or PA rails	
Plain text information	Terminal block: Number and type
Cable entry	Number, type and installation side in enclosure
Flanges	can be installed acc. to order; please indicate the enclosure side on which they are to be equipped
Terminals	Phoenix; Weidmüller available on request
Available enclosure depths	150 mm; 230 mm
Terminal boxes equipped with terminals > 35 to 300 mm ² on request	

Table showing the max. number of possible entries of the enclosure using cable glands series 8161

W x H	without flange				Flange		W x H	without flange				Flange	
	A	B	C	D	A/B	C/D		A	B	C	D	A/B	C/D
400 x 400							400 x 400						
M16 x 1.5	74	74	74	74	28	28	M16 x 1.5	123	123	123	123	69	69
M20 x 1.5	48	48	48	48	18	18	M20 x 1.5	85	85	85	85	44	44
M25 x 1.5	29	29	30	30	13	13	M25 x 1.5	59	59	60	60	28	28
M32 x 1.5	21	21	22	22	9	9	M32 x 1.5	38	38	39	39	20	20
M40 x 1.5	11	11	11	11	5	5	M40 x 1.5	22	22	22	22	10	10
M50 x 1.5	7	7	7	7	3	3	M50 x 1.5	14	14	14	14	8	8
M63 x 1.5	5	5	5	5	3	3	M63 x 1.5	9	9	9	9	6	6

Dimensional Drawings (all dimensions in mm) - Subject to alterations



Dimensions in mm	Depth			
	150 mm	230 mm	150 mm*	230 mm*
a1	360	360	360	360
a2	360	360	360	360
b1	436	436	436	436
b2	436	436	436	436
c1	452	452	452	452
c2	452	452	452	452
E	400	400	400	400
F	400	400	400	400
G	150	230	150	230
H	165	245	163.5	243.5

Type 8150/-0400-0400-150-..1. and 8150/-0400-0400-230-..1.
 Type 8150/-0400-0400-150-..2. and 8150/-0400-0400-230-..2.*

* with hinge or cam lock

Terminal Boxes

Series 8150

Version 550 x 360 (horizontal)

Terminal box up to 35 mm²

Nominal cross-section [mm ²]	Max. number of terminals																				
	Wago																				
Colour	2.5				4						6				10						
Number of conductors per terminal	GY	BU	PE	PE	GY	OG	BU	PE	GY	PE	GY	BU	PE	GY	BU	PE	GY	PE	GY	BU	PE
2	2	2	2	3	2	2	2	2	4	4	3	3	3	2	2	2	3	4	2	2	2
3	3	3	3	3	2	2	2	2	4	4	3	3	3	2	2	2	3	4	2	2	2
4	4	4	4	4	2	2	2	2	4	4	3	3	3	2	2	2	3	4	2	2	2

Note

Plain text information	Order numbers for enclosures with mounting rails and PE or PA rails
Cable entry	Terminal block: Number and type
Flanges	Number, type and installation side in enclosure
Terminals	can be installed acc. to order; please indicate the enclosure side on which they are to be equipped
Available enclosure depths	Phoenix; Weidmüller available on request
Terminal boxes equipped with terminals > 35 to 300 mm ² on request	230 mm

Table showing the max. number of possible entries of the enclosure using cable glands series 8161

W x H	without flange				Flange	
	A	B	C	D	A/B	C/D
550 x 360	91	91	123	123	69	110
M16 x 1.5	59	59	85	85	44	74
M20 x 1.5	43	43	59	59	28	49
M25 x 1.5	27	27	38	38	20	31
M32 x 1.5	15	15	22	22	10	16
M40 x 1.5	9	9	14	14	8	14
M50 x 1.5	6	6	9	9	6	10
M63 x 1.5						

Dimensional Drawings (all dimensions in mm) - Subject to alterations

Dimensions in mm	Depth 230 mm	Depth 230 mm*
a1	320	320
a2	510	510
b1	396	396
b2	586	586
c1	412	412
c2	602	602
E	360	360
F	550	550
G	230	230
H	245	243.5

12648E00

* with hinge or cam lock

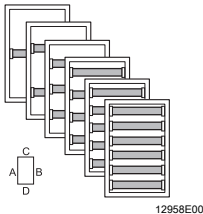
Type 8150/-0550-0360-230-..1.
Type 8150/-0550-0360-230-..2.*

Terminal Boxes

Series 8150

Version 360 x 550 (vertical)

Terminal box up to 35 mm²

	Max. number of terminals																					
	Wago																					
Nominal cross-section [mm ²]	2.5				4				6				10									
Colour	GY	BU	PE	PE	GY	OG	BU	PE	GY	PE	GY	BU	PE	GY	BU	PE	GY	PE				
Number of conductors per terminal	2	2	2	3	2	2	2	2	4	4	3	3	3	2	2	2	3	4	2	2	2	
Mounting rail placement																						
																			Number of mounting rails			
		2001 - 1201	2001 - 1204	2001 - 1207	2001 - 1307	2002 - 1201	2002 - 1202	2002 - 1204	2002 - 1207	2002 - 1401	2002 - 1407	2002 - 1301	2002 - 1304	2002 - 1307	2004 - 1201	2004 - 1204	2004 - 1207	2004 - 1301	2004 - 1407	2006 - 1201	2006 - 1204	2006 - 1207
8150/-0360-0550-...-3.1	1	64	64	64	64	52	52	52	52	52	52	52	52	52	43	43	43	43	43	36	36	36
8150/-0360-0550-...-3.1	2	128	128	128	128	104	104	104	104	104	104	104	104	104	86	86	86	86	86	72	72	72
8150/-0360-0550-...-3.1	3	192	192	192	192	156	156	156	156	156	156	156	156	156	129	129	129	129	129	108	108	108
8150/-0360-0550-...-3.1	4	256	256	256	256	208	208	208	208	208	208	208	208	208	172	172	172	172	172	144	144	144
8150/-0360-0550-...-3.1	5	320	320	320	320	260	260	260	260	-	-	260	260	260	215	215	215	-	-	-	-	-
8150/-0360-0550-...-3.1	6	384	384	384	-	312	312	312	312	-	-	-	-	-	-	-	-	-	-	-	-	-

Note

	Order numbers for enclosures with mounting rails and PE or PA rails
Plain text information	Terminal block: Number and type
Cable entry	Number, type and installation side in enclosure
Flanges	can be installed acc. to order; please indicate the enclosure side on which they are to be equipped
Terminals	Phoenix; Weidmüller available on request
Available enclosure depths	230 mm
Terminal boxes equipped with terminals > 35 to 300 mm ² on request	

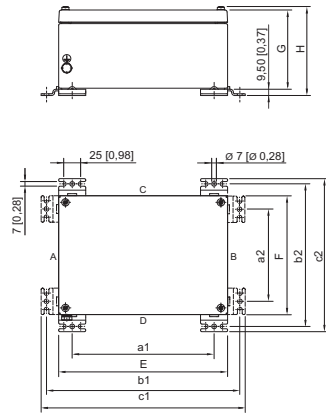
Table showing the max. number of possible entries of the enclosure using cable glands series 8161

W x H	without flange				Flange	
	A	B	C	D	A/B	C/D
360 x 550						
M16 x 1.5	123	123	91	91	110	69
M20 x 1.5	85	85	59	59	74	44
M25 x 1.5	59	59	43	43	49	28
M32 x 1.5	38	38	27	27	31	20
M40 x 1.5	22	22	15	15	16	10
M50 x 1.5	14	14	9	9	14	8
M63 x 1.5	9	9	6	6	10	6

Terminal Boxes

Series 8150

Dimensional Drawings (all dimensions in mm) - Subject to alterations



Dimensions in mm	Depth
	230 mm
a1	320
a2	510
b1	396
b2	586
c1	412
c2	602
E	360
F	550
G	230
H	243.5

12648E00

Type 8150/..-0360-0550-230-..2.*

* with hinge or cam lock

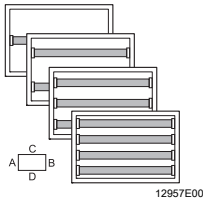
E4

Terminal Boxes

Series 8150

Version 600 x 400 (horizontal)

Terminal box up to 35 mm²

Nominal cross-section [mm ²]	Max. number of terminals																					
	Wago																					
Colour	2.5				4								6				10					
	GY	BU	PE	PE	GY	OG	BU	PE	GY	PE	GY	BU	PE	GY	BU	PE	GY	PE				
Number of conductors per terminal	2	2	2	3	2	2	2	2	4	4	3	3	3	2	2	2	3	4	2	2	2	
Mounting rail placement																						
	Number of mounting rails	2001 - 1201	2001 - 1204	2001 - 1207	2001 - 1307	2002 - 1201	2002 - 1202	2002 - 1204	2002 - 1207	2002 - 1401	2002 - 1407	2002 - 1301	2002 - 1304	2002 - 1307	2004 - 1201	2004 - 1204	2004 - 1207	2004 - 1301	2004 - 1407	2006 - 1201	2006 - 1204	2006 - 1207
8150/-0600-0400-...-3.1	1	125	125	125	125	101	101	101	101	101	101	101	101	101	85	85	85	85	85	70	70	70
8150/-0600-0400-...-3.1	2	250	250	250	250	202	202	202	202	202	202	202	202	202	170	170	170	170	170	140	140	140
8150/-0600-0400-...-3.1	3	375	375	375	375	303	303	303	303	303	303	303	303	303	255	255	255	255	255	210	210	210
8150/-0600-0400-...-3.1	4	500	500	500	500	404	404	404	404	-	-	-	-	-	-	-	-	-	-	-	-	-

Note

	Order numbers for enclosures with mounting rails and PE or PA rails
Plain text information	Terminal block: Number and type
Cable entry	Number, type and installation side in enclosure
Flanges	can be installed acc. to order; please indicate the enclosure side on which they are to be equipped
Terminals	Phoenix; Weidmüller available on request
Available enclosure depths	150 mm; 230 mm
Terminal boxes equipped with terminals > 35 to 300 mm ² on request	

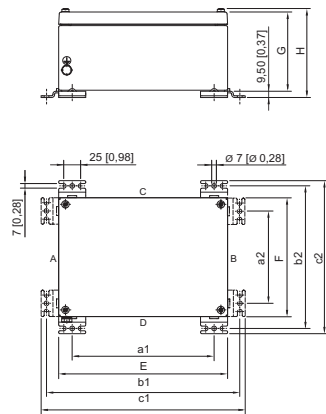
Table showing the max. number of possible entries of the enclosure using cable glands series 8161

W x H	without flange				Flange		W x H	without flange				Flange	
	A	B	C	D	A/B	C/D		A	B	C	D	A/B	C/D
600 x 400							600 x 400						
M16 x 1,5	74	74	117	117	28	47	M16 x 1,5	123	123	190	190	69	110
M20 x 1,5	48	48	74	74	18	31	M20 x 1,5	85	85	131	131	44	74
M25 x 1,5	29	29	46	46	13	21	M25 x 1,5	59	59	94	94	28	49
M32 x 1,5	21	21	33	33	9	15	M32 x 1,5	38	38	63	63	20	31
M40 x 1,5	11	11	18	18	5	8	M40 x 1,5	22	22	36	36	10	16
M50 x 1,5	7	7	11	11	3	5	M50 x 1,5	14	14	22	22	8	14
M63 x 1,5	5	5	7	7	3	5	M63 x 1,5	9	9	14	14	6	10

Terminal Boxes

Series 8150

Dimensional Drawings (all dimensions in mm) - Subject to alterations



Dimensions in mm	Depth		
	150 mm	230 mm	230 mm*
a1	560	560	560
a2	360	360	360
b1	636	636	636
b2	436	436	436
c1	652	652	652
c2	452	452	452
E	600	600	600
F	400	400	400
G	150	230	230
H	165	245	243.5

12648E00

Type 8150/..-0600-0400-150-..1. and 8150/..-0600-0400-230-..1.
 Type 8150/..-0600-0400-230-..2.*

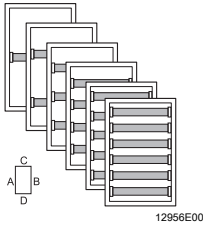
* with hinge or cam lock

Terminal Boxes

Series 8150

Version 400 x 600 (vertical)

Terminal box up to 35 mm²

Nominal cross-section [mm ²]	Max. number of terminals																				
	Wago																				
Colour	2.5				4								6				10				
Number of conductors per terminal	GY	BU	PE	PE	GY	OG	BU	PE	GY	PE	GY	BU	PE	GY	BU	PE	GY	PE			
2	2	2	2	3	2	2	2	2	4	4	3	3	3	2	2	2	3	4	2	2	2
Mounting rail placement																					
8150/-0400-0600-...-3.1	1	78	78	78	78	63	63	63	63	63	63	63	63	52	52	52	52	52	43	43	43
8150/-0400-0600-...-3.1	2	156	156	156	156	126	126	126	126	126	126	126	126	104	104	104	104	104	86	86	86
8150/-0400-0600-...-3.1	3	234	234	234	234	189	189	189	189	189	189	189	189	156	156	156	156	156	129	129	129
8150/-0400-0600-...-3.1	4	312	312	312	312	252	252	252	252	252	252	252	252	208	208	208	208	208	172	172	172
8150/-0400-0600-...-3.1	5	390	390	390	390	315	315	315	315	-	-	315	315	260	260	260	260	-	215	215	215
8150/-0400-0600-...-3.1	6	468	468	468	-	378	378	378	378	-	-	-	-	-	-	-	-	-	-	-	-

Note

	Order numbers for enclosures with mounting rails and PE or PA rails
Plain text information	Terminal block: Number and type
Cable entry	Number, type and installation side in enclosure
Flanges	can be installed acc. to order; please indicate the enclosure side on which they are to be equipped
Terminals	Phoenix; Weidmüller available on request
Available enclosure depths	150 mm; 230 mm
Terminal boxes equipped with terminals > 35 to 300 mm ² on request	

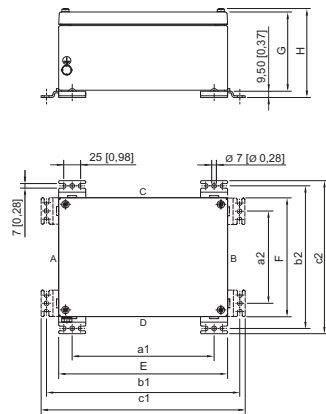
Table showing the max. number of possible entries of the enclosure using cable glands series 8161

W x H	without flange				Flange		W x H	without flange				Flange	
	A	B	C	D	A/B	C/D		A	B	C	D	A/B	C/D
400 x 600							400 x 600						
M16 x 1.5	117	117	74	74	47	28	M16 x 1.5	190	190	123	123	110	69
M20 x 1.5	74	74	48	48	31	18	M20 x 1.5	131	131	85	85	74	44
M25 x 1.5	46	46	29	29	21	13	M25 x 1.5	94	94	59	59	49	28
M32 x 1.5	33	33	21	21	15	9	M32 x 1.5	63	63	38	38	31	20
M40 x 1.5	18	18	11	11	8	5	M40 x 1.5	36	36	22	22	16	10
M50 x 1.5	11	11	7	7	5	3	M50 x 1.5	22	22	14	14	14	8
M63 x 1.5	7	7	5	5	5	3	M63 x 1.5	14	14	9	9	10	6

Terminal Boxes

Series 8150

Dimensional Drawings (all dimensions in mm) - Subject to alterations



Dimensions in mm	Depth			
	150 mm	230 mm	150 mm*	230 mm*
a1	360	360	360	360
a2	560	560	560	560
b1	436	436	436	436
b2	636	636	636	636
c1	452	452	452	452
c2	652	652	652	652
E	400	400	400	400
F	600	600	600	600
G	150	230	150	230
H	165	245	163.5	243.5

12648E00

Type 8150/-.0400-0600-150-..1. and 8150/-.0400-0600-230-..1.
 Type 8150/-.0400-0600-150-..2. and 8150/-.0400-0600-230-..2.*

* with hinge or cam lock

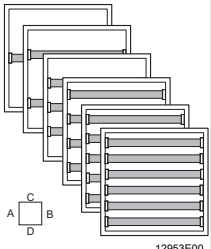
E4

Terminal Boxes

Series 8150

Version 600 x 600


Terminal box up to 35 mm²

	Max. number of terminals																					
	Wago																					
Nominal cross-section [mm ²]	2.5				4				6				10									
Colour	GY	BU	PE	PE	GY	OG	BU	PE	GY	PE	GY	BU	PE	GY	BU	PE	GY	PE				
Number of conductors per terminal	2	2	2	3	2	2	2	2	4	4	3	3	3	2	2	2	3	4	2	2	2	
Mounting rail placement	Number of mounting rails																					
	2001 - 1201	2001 - 1204	2001 - 1207	2001 - 1307	2002 - 1201	2002 - 1202	2002 - 1204	2002 - 1207	2002 - 1401	2002 - 1407	2002 - 1301	2002 - 1304	2002 - 1307	2004 - 1201	2004 - 1204	2004 - 1207	2004 - 1301	2004 - 1407	2006 - 1201	2006 - 1204	2006 - 1207	
8150/-0600-0600-...-3.1	1	125	125	125	125	101	101	101	101	101	101	101	101	101	85	85	85	85	85	70	70	70
8150/-0600-0600-...-3.1	2	250	250	250	250	202	202	202	202	202	202	202	202	202	170	170	170	170	170	140	140	140
8150/-0600-0600-...-3.1	3	375	375	375	375	303	303	303	303	303	303	303	303	303	255	255	255	255	255	210	210	210
8150/-0600-0600-...-3.1	4	500	500	500	500	404	404	404	404	404	404	404	404	404	340	340	340	340	340	280	280	280
8150/-0600-0600-...-3.1	5	625	625	625	625	505	505	505	505	-	-	505	505	505	425	425	425	425	425	350	350	350
8150/-0600-0600-...-3.1	6	750	750	750	-	606	606	606	606	-	-	-	-	-	-	-	-	-	-	-	-	-

Note

	Order numbers for enclosures with mounting rails and PE or PA rails
Plain text information	Terminal block: Number and type
Cable entry	Number, type and installation side in enclosure
Flanges	can be installed acc. to order; please indicate the enclosure side on which they are to be equipped
Terminals	Phoenix; Weidmüller available on request
Available enclosure depths	150 mm; 230 mm
Terminal boxes equipped with terminals > 35 to 300 mm ² on request	

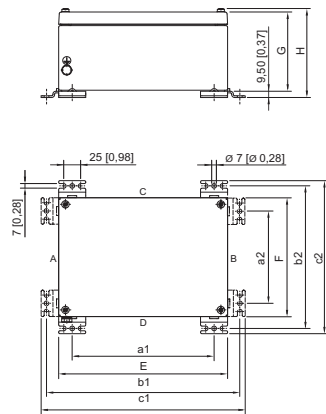
Table showing the max. number of possible entries of the enclosure using cable glands series 8161

	W x H	without flange				Flange		W x H	without flange				Flange	
		A	B	C	D	A/B	C/D		A	B	C	D	A/B	C/D
D = 150 mm	600 x 600							600 x 600						
	M16 x 1.5	116	116	117	117			M16 x 1.5	187	187	190	190		
	M20 x 1.5	73	73	74	74			M20 x 1.5	130	130	131	131		
	M25 x 1.5	45	45	46	46	a	a	M25 x 1.5	91	91	94	94	a	a
	M32 x 1.5	33	33	33	33			M32 x 1.5	63	63	63	63		
	M40 x 1.5	18	18	18	18			M40 x 1.5	34	34	36	36		
	M50 x 1.5	11	11	11	11			M50 x 1.5	22	22	22	22		
M63 x 1.5	7	7	7	7			M63 x 1.5	14	14	14	14			
D = 230 mm	600 x 600							600 x 600						
	M16 x 1.5	116	116	117	117			M16 x 1.5	187	187	190	190		
	M20 x 1.5	73	73	74	74			M20 x 1.5	130	130	131	131		
	M25 x 1.5	45	45	46	46	a	a	M25 x 1.5	91	91	94	94	a	a
	M32 x 1.5	33	33	33	33			M32 x 1.5	63	63	63	63		
	M40 x 1.5	18	18	18	18			M40 x 1.5	34	34	36	36		
	M50 x 1.5	11	11	11	11			M50 x 1.5	22	22	22	22		
M63 x 1.5	7	7	7	7			M63 x 1.5	14	14	14	14			

Terminal Boxes

Series 8150

Dimensional Drawings (all dimensions in mm) - Subject to alterations



Dimensions in mm	Depth			
	150 mm	230 mm	150 mm*	230 mm*
a1	560	560	560	560
a2	560	560	560	560
b1	636	636	636	636
b2	636	636	636	636
c1	652	652	652	652
c2	652	652	652	652
E	600	600	600	600
F	600	600	600	600
G	150	230	150	230
H	165	245	163.5	243.5

12648E00

Type 8150/-.0600-0600-150-..1. and 8150/-.0600-0600-230-..1.
 Type 8150/-.0600-0600-150-..2. and 8150/-.0600-0600-230-..2.*

* with hinge or cam lock

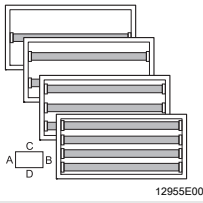
E4

Terminal Boxes

Series 8150

Version 727 x 360 (horizontal)

Terminal box up to 35 mm²

Nominal cross-section [mm ²]	Max. number of terminals																					
	Wago																					
Colour	2.5				4						6						10					
Number of conductors per terminal	GY	BU	PE	PE	GY	OG	BU	PE	GY	PE	GY	BU	PE	GY	BU	PE	GY	PE	GY	BU	PE	
2	2	2	2	3	2	2	2	2	4	4	3	3	3	2	2	2	3	4	2	2	2	
3	3	3	3	3	2	2	2	2	4	4	3	3	3	2	2	2	3	4	2	2	2	
4	4	4	4	4	2	2	2	2	4	4	3	3	3	2	2	2	3	4	2	2	2	
12955E00																						
8150/-0727-0360-...-3.1	1	113	113	113	113	91	91	91	91	91	91	91	91	91	77	77	77	77	77	63	63	63
8150/-0727-0360-...-3.1	2	226	226	226	226	182	182	182	182	182	182	182	182	182	154	154	154	154	154	126	126	126
8150/-0727-0360-...-3.1	3	339	339	339	339	273	273	273	273	273	273	273	273	273	231	231	231	231	231	-	189	189
8150/-0727-0360-...-3.1	4	452	452	452	-	364	364	364	364	-	-	-	-	-	-	-	-	-	-	-	-	-

Note

Order numbers for enclosures with mounting rails and PE or PA rails	
Plain text information	Terminal block: Number and type
Cable entry	Number, type and installation side in enclosure
Flanges	can be installed acc. to order; please indicate the enclosure side on which they are to be equipped
Terminals	Phoenix; Weidmüller available on request
Available enclosure depths	91 mm; 150 mm; 190 mm
Terminal boxes equipped with terminals > 35 to 300 mm ² on request	

Table showing the max. number of possible entries of the enclosure using cable glands series 8161

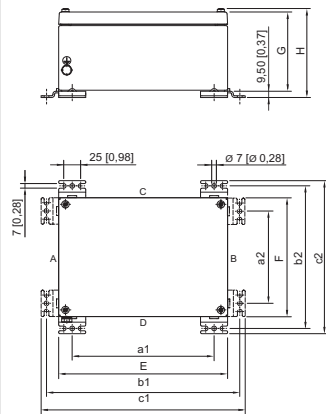
W x H	without flange				Flange	W x H	without flange				Flange
	A	B	C	D			A	B	C	D	
727 x 360						727 x 360					
M16 x 1.5	27	27	48	48	a	M16 x 1.5	65	65	117	117	a
M20 x 1.5	20	20	36	36		M20 x 1.5	42	42	74	74	
M25 x 1.5	10	10	30	30		M25 x 1.5	26	26	46	46	
M32 x 1.5	7	7	14	14		M32 x 1.5	18	18	33	33	
M40 x 1.5	5	5	12	12		M40 x 1.5	10	10	18	18	
M50 x 1.5	-	-	8	8		M50 x 1.5	6	6	11	11	
M63 x 1.5	-	-	-	-		M63 x 1.5	4	4	7	7	
M63 x 1.5	-	-	-	-							
727 x 360						727 x 360					
M16 x 1.5	68	68	140	140	a	M16 x 1.5	68	68	140	140	a
M20 x 1.5	51	51	100	100		M20 x 1.5	51	51	100	100	
M25 x 1.5	34	34	70	70		M25 x 1.5	34	34	70	70	
M32 x 1.5	19	19	32	32		M32 x 1.5	19	19	32	32	
M40 x 1.5	15	15	22	22		M40 x 1.5	15	15	22	22	
M50 x 1.5	9	9	20	20		M50 x 1.5	9	9	20	20	
M63 x 1.5	6	6	15	15		M63 x 1.5	6	6	15	15	

a = on request

Terminal Boxes

Series 8150

Dimensional Drawings (all dimensions in mm) - Subject to alterations



Dimensions in mm	Depth		
	91 mm	150 mm	190 mm
a1	687	687	687
a2	320	320	320
b1	763	763	763
b2	398	398	398
c1	779	779	779
c2	412	412	412
E	727	727	727
F	360	360	360
G	91	150	190
H	106	165	205

12648E00

- Type 8150/-.0727-0360-091-..1.
- Type 8150/-.0727-0360-150-..1.
- Type 8150/-.0727-0360-190-..1.

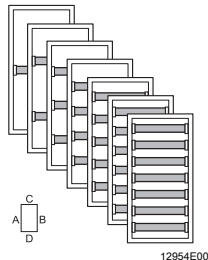
Terminal Boxes

Series 8150

Version 360 x 727 (vertical)

Terminal box up to 35 mm²

Nominal cross-section [mm ²]	Max. number of terminals																				
	Wago																				
Colour	2.5				4						6				10						
Number of conductors per terminal	GY	BU	PE	PE	GY	OG	BU	PE	GY	PE	GY	BU	PE	GY	BU	PE	GY	PE			
2	2	2	2	3	2	2	2	2	4	4	3	3	3	2	2	2	3	4	2	2	2
3	2	2	2	3	2	2	2	2	4	4	3	3	3	2	2	2	3	4	2	2	2
4	2	2	2	3	2	2	2	2	4	4	3	3	3	2	2	2	3	4	2	2	2
5	2	2	2	3	2	2	2	2	4	4	3	3	3	2	2	2	3	4	2	2	2
6	2	2	2	3	2	2	2	2	4	4	3	3	3	2	2	2	3	4	2	2	2
7	2	2	2	3	2	2	2	2	4	4	3	3	3	2	2	2	3	4	2	2	2



Note

Order numbers for enclosures with mounting rails and PE or PA rails	
Plain text information	Terminal block: Number and type
Cable entry	Number, type and installation side in enclosure
Flanges	can be installed acc. to order; please indicate the enclosure side on which they are to be equipped
Terminals	Phoenix; Weidmüller available on request
Available enclosure depths	150 mm; 190 mm
Terminal boxes equipped with terminals > 35 to 300 mm ² on request	

Table showing the max. number of possible entries of the enclosure using cable glands series 8161

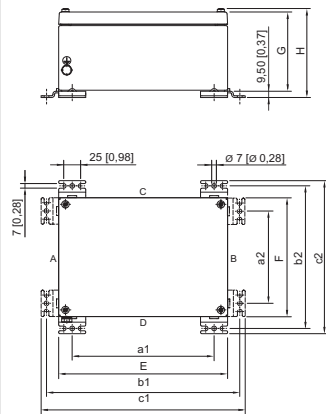
W x H	without flange				Flange		W x H	without flange				Flange	
	A	B	C	D	A/B	C/D		A	B	C	D	A/B	C/D
360 x 727							360 x 727						
M16 x 1.5	117	117	65	65	47	28	M16 x 1.5			67	67		40
M20 x 1.5	74	74	42	42	31	18	M20 x 1.5			42	42		28
M25 x 1.5	46	46	26	26	21	13	M25 x 1.5	a	a	26	26	a	20
M32 x 1.5	33	33	18	18	15	9	M32 x 1.5			19	19		12
M40 x 1.5	18	18	10	10	8	5	M40 x 1.5			10	10		8
M50 x 1.5	11	11	6	6	5	3	M50 x 1.5			6	6		6
M63 x 1.5	7	7	4	4	5	3	M63 x 1.5			4	4		3

a = on request

Terminal Boxes

Series 8150

Dimensional Drawings (all dimensions in mm) - Subject to alterations



Dimensions in mm	Depth	
	150 mm*	190 mm*
a1	320	320
a2	687	687
b1	398	398
b2	763	763
c1	412	412
c2	779	779
E	360	360
F	727	727
G	150	190
H	163.5	203.5

12648E00

Type 8150/-.0360-0727-150-..2. and 8150/-.0360-0727-190-..2.* * with hinge or cam lock

E4

Terminal Boxes

Series 8150

Version 787 x 480 (horizontal)

Terminal box up to 35 mm²

Nominal cross-section [mm ²]	Max. number of terminals																							
	Wago																							
Colour	2.5				4								6						10					
Number of conductors per terminal	GY	BU	PE	PE	GY	OG	BU	PE	GY	PE	GY	PE	GY	BU	PE	GY	BU	PE	GY	PE	GY	BU	PE	
2	2	2	2	3	2	2	2	2	4	4	3	3	3	3	3	2	2	2	3	4	2	2	2	
3																								
4																								
5																								
8150/-0787-0480-....-3.1	1	170	170	170	170	137	137	137	137	137	137	137	137	137	137	115	115	115	115	115	115	95	95	95
8150/-0787-0480-....-3.1	2	340	340	340	340	274	274	274	274	274	274	274	274	274	274	230	230	230	230	230	230	190	190	190
8150/-0787-0480-....-3.1	3	510	510	510	510	411	411	411	411	411	411	411	411	411	411	345	345	345	345	345	345	285	285	285
8150/-0787-0480-....-3.1	4	680	680	680	680	548	548	548	548	548	548	548	548	548	548	460	460	460	460	460	460	380	380	380
8150/-0787-0480-....-3.1	5	850	850	850	850	850	850	850	850	850	850	850	850	850	850	850	850	850	850	850	850	850	850	850

Note

Order numbers for enclosures with mounting rails and PE or PA rails	
Plain text information	Terminal block: Number and type
Cable entry	Number, type and installation side in enclosure
Flanges	can be installed acc. to order; please indicate the enclosure side on which they are to be equipped
Terminals	Phoenix; Weidmüller available on request
Available enclosure depths	230 mm
Terminal boxes equipped with terminals > 35 to 300 mm ² on request	

Table showing the max. number of possible entries of the enclosure using cable glands series 8161

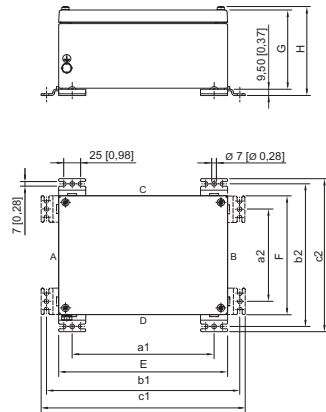
W x H	without flange				Flange	
	A	B	C	D	A/B	C/D
787 x 480						
M16 x 1.5	109	109	160	160		
M20 x 1.5	82	82	118	118		
M25 x 1.5	59	59	93	93	a	a
M32 x 1.5	36	36	62	62		
M40 x 1.5	27	27	36	36		
M50 x 1.5	18	18	33	33		
M63 x 1.5	10	10	18	18		

a = on request

Terminal Boxes

Series 8150

Dimensional Drawings (all dimensions in mm) - Subject to alterations



Dimensions in mm	Depth	
	230 mm	230 mm*
a1	747	747
a2	440	440
b1	823	823
b2	516	516
c1	839	839
c2	532	532
E	787	787
F	480	480
G	230	230
H	245	243.5

12648E00

Type 8150/..-0787-0480-230-..1.
Type 8150/..-0787-0480-230-..2.*

* with hinge or cam lock

E4

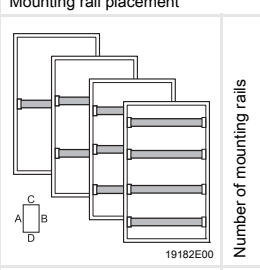
Terminal Boxes

Series 8150

Version 480 x 787 (vertical)

Terminal box up to 35 mm²

Nominal cross-section [mm ²]	Max. number of terminals																				
	Wago																				
Colour	2.5				4				6				10								
Number of conductors per terminal	GY	BU	PE	PE	GY	OG	BU	PE	GY	PE	GY	PE	BU	PE	GY	BU	PE	GY	BU	PE	
2	2	2	2	3	2	2	2	2	4	4	3	3	3	2	2	2	3	4	2	2	2
3																					
4																					
5																					



Note

Order numbers for enclosures with mounting rails and PE or PA rails	
Plain text information	Terminal block: Number and type
Cable entry	Number, type and installation side in enclosure
Flanges	can be installed acc. to order; please indicate the enclosure side on which they are to be equipped
Terminals	Phoenix; Weidmüller available on request
Available enclosure depths	230 mm
Terminal boxes equipped with terminals > 35 to 300 mm ² on request	

Table showing the max. number of possible entries of the enclosure using cable glands series 8161

W x H	without flange				Flange	
	A	B	C	D	A/B	C/D
480 x 787						
M16 x 1.5	160	160	109	109		
M20 x 1.5	118	118	82	82		
M25 x 1.5	93	93	59	59	a	a
M32 x 1.5	62	62	36	36		
M40 x 1.5	36	36	27	27		
M50 x 1.5	33	33	18	18		
M63 x 1.5	18	18	10	10		

a = on request

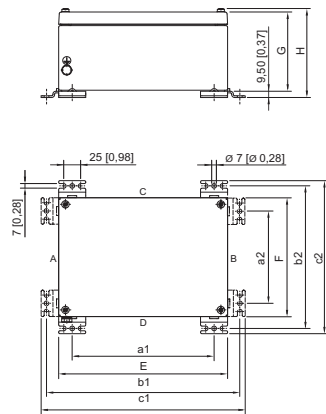


D = 230 mm

Terminal Boxes

Series 8150

Dimensional Drawings (all dimensions in mm) - Subject to alterations



Dimensions in mm	Depth
	230 mm*
a1	440
a2	747
b1	516
b2	823
c1	532
c2	839
E	480
F	787
G	230
H	243.5

12648E00

Type 8150/..-0480-0787-230-..2.*

* with hinge or cam lock

E4

Terminal Boxes

Series 8150

Explosion Protection

Version	8150/1	8150/2
Global (IECEX)		
Gas and dust	IECEX PTB 09.0048 Ex db eb [ia Ga] ib mb op pr IIC, IIB, IIA T6 (Ta = -60 ... +40 °C) Ex db eb [ia Ga] ib mb op pr IIC, IIB, IIA T5 (Ta = -60 ... +55 °C) Ex db eb [ia Ga] ib mb op pr IIC, IIB, IIA T4 (Ta = -60 ... +70 °C) Ex tb IIIC IP66 T130°C (Ta = -60 ... +70 °C) Ex tb IIIC IP66 T95°C (Ta = -60 ... +55 °C) Ex tb IIIC IP66 T80°C (Ta = -60 ... +40 °C)	IECEX PTB 09.0048 Ex ia/ib IIA, IIB, IIC T6 (Ta = -60 ... +75 °C) Ex tb IIIC IP66 T80°C (Ta = -60 ... +75 °C)
Europe (ATEX)		
Gas and dust	PTB 09 ATEX 1108 Ⓢ II 2 G Ex db eb [ia Ga] ib mb op pr IIC, IIB, IIA T6 (Ta = -60 ... +40 °C) Ⓢ II 2 G Ex db eb [ia Ga] ib mb op pr IIC, IIB, IIA T5 (Ta = -60 ... +55 °C) Ⓢ II 2 G Ex db eb [ia Ga] ib mb op pr IIC, IIB, IIA T4 (Ta = -60 ... +70 °C) Ⓢ II 2 D Ex tb IIIC IP66 T130°C (Ta = -60 ... +70 °C) Ⓢ II 2 D Ex tb IIIC IP66 T95°C (Ta = -60 ... +55 °C) Ⓢ II 2 D Ex tb IIIC IP66 T80°C (Ta = -60 ... +40 °C)	PTB 09 ATEX 1108
Certifications and certificates		
Certificates	IECEX, ATEX, Brazil (INMETRO), India (PESO), Russia (TR), Belarus (TR)	
Types of protection	depending on the actual fitted components used and their type of protection	
Technical Data		
Electrical data		
Rated operational voltage	max. 1100 V	
	depending on terminal types and explosion protected components used	
Rated operational current	max. 630 A	
	depending on terminal types and explosion protected components used	
Ambient conditions		
Ambient temperature	see explosion protection data depending on terminal types and explosion protected components used	
Mechanical data		
Degree of protection	IP66 acc. to EN IEC 60529	
Material		
Enclosure	stainless steel V1.4301 (AISI 304) respectively 1.4404 (AISI 316L) brush finished	
Seal	Silicone, foamed	
Mounting plate	sheet steel, galvanized	
Cover lock	- with captive M6 stainless steel combo head screws or - with hinges / cam locks Double-bit key no. 5 for cam lock included in delivery	
Flange		
Standard version	without flange	
Special version	with flange	
Wall thickness		
Enclosure cover	min. 2 mm	
Mounting plate	3 mm	
Cover screws tightening torque	4.5 Nm	

Terminal Boxes

Series 8150

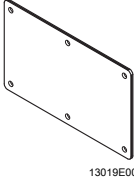
Technical Data

Protective conductor connection	M8 blind rivet nut (1x): at the outside of the enclosure M8 rivet nut (1x): on mounting plate M6 bolt (1x): additionally on enclosures with cover hinges
Rated cross-section	max. 300 mm ² depending on terminal types and explosion protected components used

Note

please refer to the manufacturer's terminal data, e.g. the tightening torque

Accessories and Spare Parts

Designation	Illustration	Order number	Depth	Material thickness [mm]	Material					
					Side C/D		Side A/B			
					1.4301	1.4404	1.4301	1.4404		
Flanges		8150/..-0176-0116-...-3.1	91	-	-	-	-	-		
		8150/..-0176-0176-...-3.1	91	-	a	a	a	a		
		8150/..-0236-0176-...-3.1	91	3	202965	202966	a	a		
				5	202967	202968	a	a		
		8150/..-0360-0176-...-3.1	91	3	202961	202962	a	a		
				5	202963	202964	a	a		
				150	3	202892	202893	202885	202886	
					5	202894	202895	202887	202888	
		8150/..-0360-0360-...-3.1	91	3	202961	202962	202961	202962		
				5	202963	202964	202963	202964		
				150	3	202892	202893	202892	202893	
					5	202894	202895	202894	202895	
				190	3	a	a	a	a	
					5	a	a	a	a	
		8150/..-0400-0300-...-3.1	150	3	202892	202893	a	a		
				5	202894	202895	a	a		
				230	3	202896	202897	a	a	
					5	202898	202899	a	a	
				8150/..-0400-0400-...-3.1	150	3	202892	202893	202892	202893
						5	202894	202895	202894	202895
		230	3			202896	202897	202896	202897	
			5			202898	202899	202898	202899	
		8150/..-0550-0360-...-3.1	230	3	202900	202901	202896	202897		
				5	202902	202903	202898	202899		
		8150/..-0600-0400-...-3.1	230	3	202900	202901	202896	202897		
				5	202902	202903	202898	202899		
		8150/..-0727-0360-...-3.1	150	3	a	a	202892	202893		
				5	a	a	202894	202895		
8150/..-0600-0600-...-3.1	150	3	202904	202905	202904	202905				
		5	202906	202907	202906	202907				
		230	3	202900	202901	202900	202901			
			5	202902	202903	202902	202903			
		8150/..-0787-0480-...-3.1	230	3	202953	202954	202896	202897		
				5	202955	202956	202898	202899		

a = on request

We reserve the right to make alterations to the technical data, dimensions, weights, designs and products available without notice. The illustrations cannot be considered binding.