

LIOLA-E1_22S, LIOLA-E1_23S

Explosion Proof Single Low Intensity Obstruction Light



PHOTOMETRIC STANDARD COMPLIANCE



ICAO ANNEX 14, VOLUME I
TYPE A - LOW INTENSITY OBSTACLE LIGHT
 CAP 168 - LOW INTENSITY GROUP A



CAA-CAP 168
GROUP A - LOW INTENSITY OBSTACLE
 LIGHT

KEY FEATURES & BENEFITS

- designed and manufactured in Italy by Clampco Sistemi
- easy way for mounting – plug 'n' play connection
- long life light source
- extended power supply range:
 10 to 60 Vdc
 110-230 Vac
- suitable for signaling:
 flares
 chimneys
 oil & Gas derricks
 cranes
 off shore infrastructures

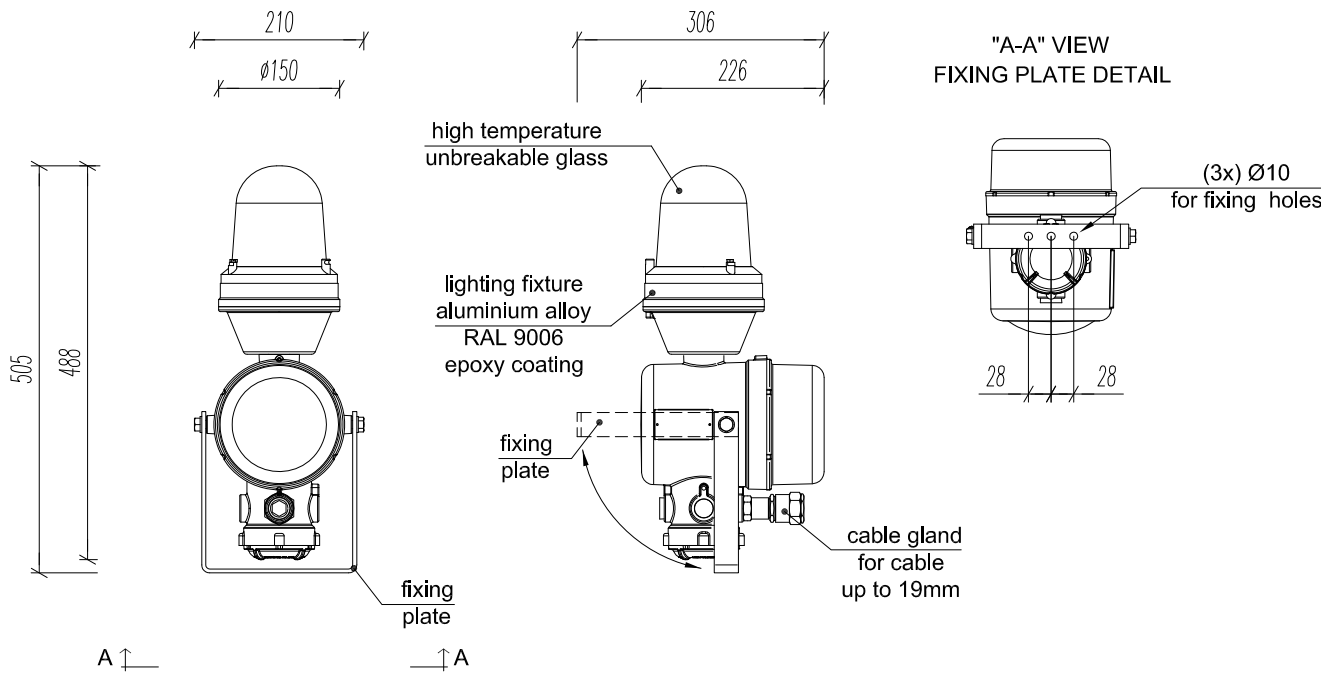
SPECIFICATIONS

	LIOLA-E1_22S	LIOLA-E1_23S
Order Code		
Typical use		Night time
Light source		LED
Type of beacon		Steady
Alarm Management		Alarm remotization with dry contact
Colour		Red according to CIE Chromaticity Boundary
Light Intensity		>10 cd
Horizontal coverage		360°
Input voltage	10 ÷ 60 Vdc	110 ÷ 230 Vac
Power consumption	2.6 W	3 W
Average life		100 000 hours
Temperature range		-20 to +60 °C
Protection degree		IP66
Material of the body		Die cast aluminum alloy copper free
Material of the transparent cap		Glass
Connection		Barrier cable gland M20 nickel plated suitable for cable up to 19 mm
Weight		6.5 Kg
Mounting hardware		Stainless steel anchor basement
Fixing		3x Stainless steel Hexagon head screws M10x40
Explosion proof protection		II 2G Exd IIC T4 Gb
ATEX		INERIS 01 ATEX 0054X and INERIS 08 ATEX 0018X
IECEX		INE 13.0075X and INE 13.0060X
Optional code		SM00334AS00 - Stainless steel radiation shield

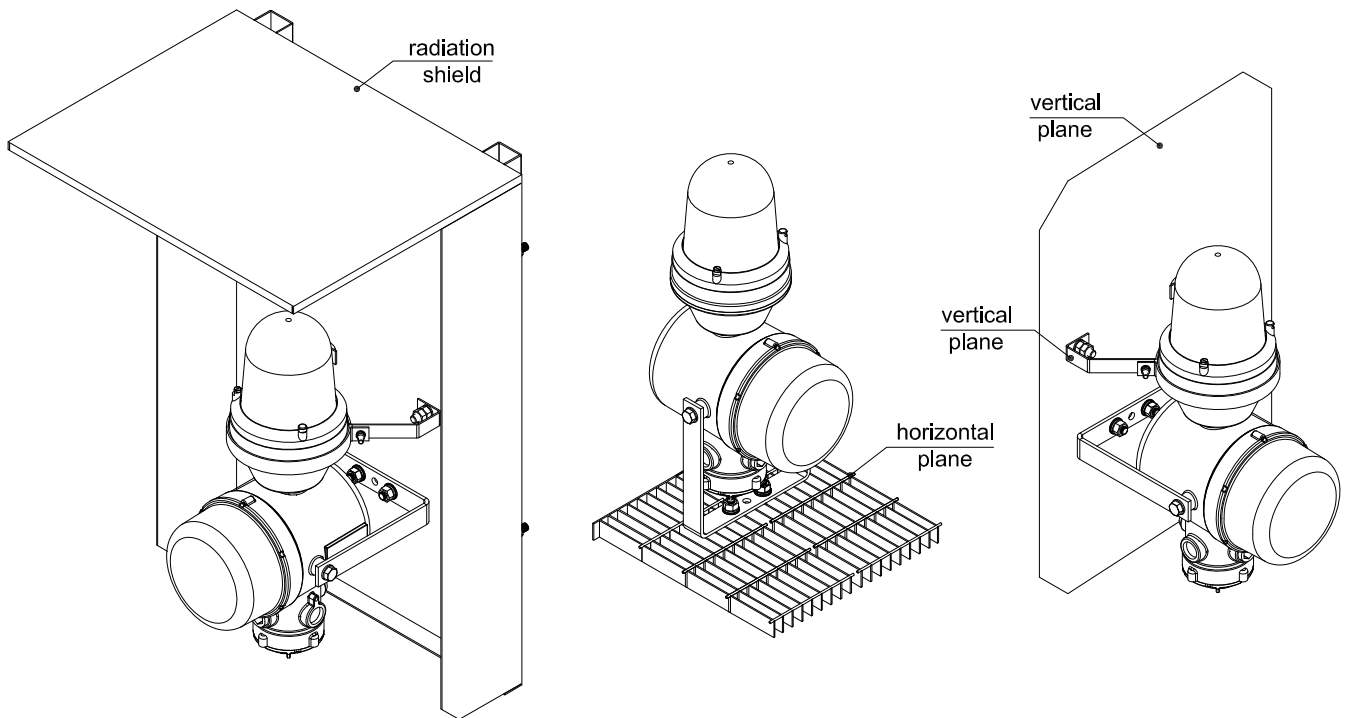
LIOLA-E1_22S, LIOLA-E1_23S

Explosion Proof Single Low Intensity Obstruction Light

TECHNICAL DRAWINGS



FIXING EXAMPLES



Clampco Sistemi reserves the right to make changes at any time in order to supply the best product possible.