

MIOLA-E1_23S

Single Medium Intensity Obstruction Light



PHOTOMETRIC STANDARD COMPLIANCE



ICAO ANNEX 14, VOLUME I
TYPE A - MEDIUM INTENSITY OBSTACLE LIGHT



FAA AC 150/5345-43J
TYPE L-865

APPLICATIONS

Suitable for signaling: flares, chimneys, Oil & Gas derricks, cranes, off-shore infrastructures.

KEY FEATURES

- designed and manufactured in Italy by Clampco Sistemi
- fully compliant with former SEGS23P20K_EX3 model
- long life source
- easy way for mounting – plug 'n' play connection
- patented technology

SPECIFICATIONS

Order Code	MIOLA-E1_23S
Lamp ID	SEGS23P20K_EX3
Typical use	Day and night time
Light source	LED
Type of beacon	Flashing
Colour	White according to CIE Chromaticity Boundary
Light Intensity	20.000 cd (day) / 2.000 cd (night)
Flashing rate	20 fpm (flash per minutes) factory fixed
Horizontal coverage	360°
Alarm Management	Alarm remotization as dry contact
Input voltage	110 – 230 Vac (50-60 Hz)
Average power consumption	55 watt (day) / 9 watt (night) @ 20fpm $\tau = 500$ ms
Peak power consumption	320 watt (day) / 55 watt (night)
Average life	100 000 hours
Temperature range	from -20 °C to +55 °C
Protection degree	IP66
Material of the body	Die cast aluminum alloy copper free
Material of the transparent cap	Glass
Connection	Barrier cable gland M25 nickel plated suitable for cable up to 24mm
Weight	45 Kg
Explosion proof protection	II 2G Exd IIC T5 Gb
ATEX	INERIS 01 ATEX 0054X and INERIS 13 ATEX 0021X
IECEX	INE 13.0075X and INE 13.0069X

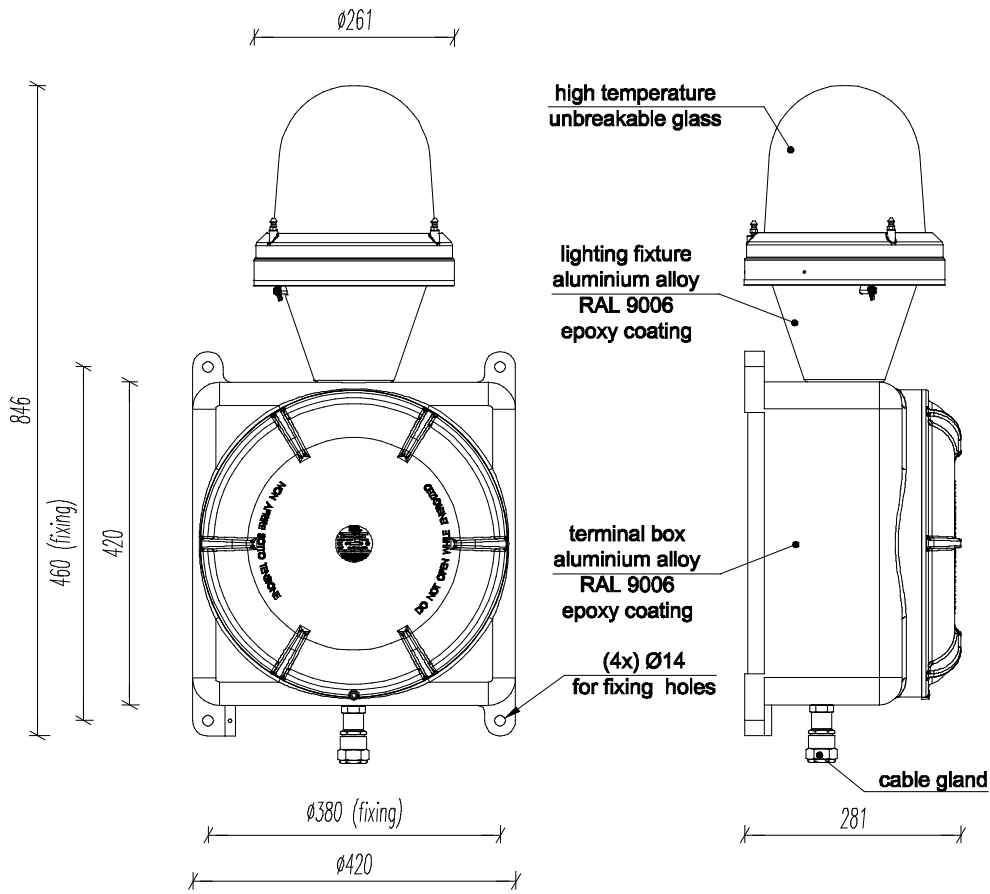
OPTIONS – SPARE PART

MIOLA-E1_23SP	Stainless steel radiation shield Integrated photoelectric switch 20-3000 Lux (adj.) Hawke stainless steel cable glands
---------------	--

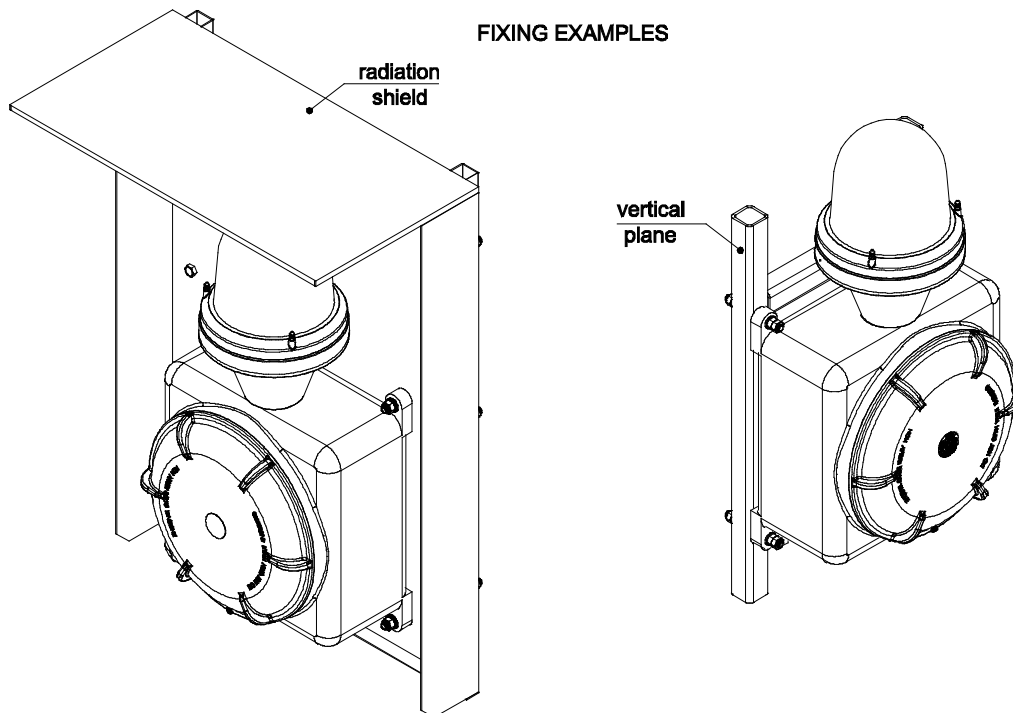
MIOLA-E1_23S

Single Medium Intensity Obstruction Light

TECHNICAL DRAWINGS



FIXING EXAMPLES



Clampco Sistemi reserves the right to make changes at any time in order to supply the best product possible.