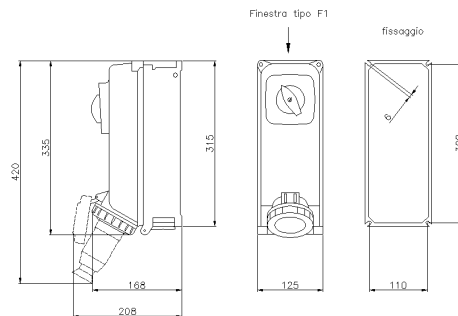




**SERIES ALUPRES
INTERLOCKED SOCKET**
CODE 472336



Datasheet

Electrical characteristics

Rated current	32A
Supply Voltage	230V 50/60Hz ●
Poles	2P+ $\frac{1}{2}$
Clock Position	6h
Rated insulation voltage	500V
Insulation Class	I
Protection	FUSE 14x51 MAX 32A
Signal plug inserted	-

Technical data switch

Thermal current	32 A
Rated short-circuit current	10 kA
Terminals type	A serraggio indiretto
Conductors section	Min: 1 mm ² ;Max: 10 mm ²
Terminal tightening torque	2 Nm
Auxiliary status contacts	Max 2 (optional)
Padlockable handle	3 locks Ø 8 mm max
Operating category	AC-23A / AC-3 32A - 250V

Mechanical characteristics

Manufacturing material	Low copper aluminium alloy (EN 44300)
Treatment type	Fluorozirconic passivation
Surface finishing	Hot polymerized non-toxic polyester
Color	RAL 5012 (Cover), RAL 7035 (Base)
Width	125 mm
Execution	Wall mounting
Hole type	F1
Protection degree	IP66/IP67
Additional degree protection	IP69 - IEC 60529
Shock resistance	IK10 according to IEC/EN 62262
Resistance to Glow wire	960 °C (Switch), 960 °C (Live contacts holder)
Flammability rating according UL94	V-0 (Switch), V-2 (Live contacts holder)
Corrosivity category	C4 (ISO 9223)
Net Weight	2,975 G
Working Environment Temp.	Min: -25°C ;Max: +50°C
Warehousing Temperature	Min: -30°C ;Max: +70°C

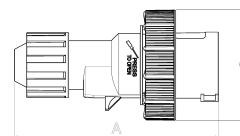
Reference Standards and Directives

Certification and approval marks	NYCE COLOMBIA, UKCA, CE, UKR
Directives	2014/35/EU (LVD), 2011/65/EU (RoHS), 2012/19/EU (WEEE)
Reference Standards	EN 60309-2:1999, EN 60309-1:1999/A1:2007, EN 60309-1:1999/A2:2012, EN 60309-1:1999, EN 60309-1:1999/A1AC:2014, EN 63000:2018, EN 60309-2:1999/A1:2007, EN 60309-2:1999/A2:2012

The images are purely indicative. Palazzoli reserves the right to make changes without notice.



**SERIES MULTIMAX
PLUG
CODE 710226**



Current (A)	N° Poles	A (mm)	Ø (mm)
16	2P+T	136	49,5
	3P+T	140	77,5
	3P+N+T	150	85,5
32	2P+T	186	92,3
	3P+T	195	92,0
	3P+N+T	170	88,5
83	2P+T	250	111
	3P+T	250	111
	3P+N+T	250	111



Datasheet

Electrical characteristics

Rated current	32A
Supply Voltage	230V 50/60Hz ●
Poles	2P+ $\frac{1}{2}$
Clock Position	6h
Rated insulation voltage	690V
Signal plug inserted	-

Reference Standards and Directives

ETIM classification	EC000140
Certification and approval marks	UKR, UKCA, CE, NYCE COLOMBIA

Directives	2012/19/EU (WEEE), 2014/35/EU (LVD), 2011/65/EU (RoHS)
------------	--

Mechanical characteristics

Manufacturing material	Thermoplastic
Alveolus/plugs treatment	Nickel plated
Color	Grey RAL 7042
Tightening diameter	11 ÷ 17,5 mm
Execution	MOBILE
Protection degree	IP67
Additional degree protection	-
Shock resistance	IK08 according to IEC/EN 62262
Resistance to Glow wire	850 °C
Flammability rating according UL94	V-2
Terminals type	A serraggio indiretto
Conductors section	Min: 2,5 mm ² ;Max: 10 mm ²
Terminal tightening torque	1,8 Nm
Net Weight	265 G
Working Environment Temp.	Min: -25°C ;Max: +50°C
Warehousing Temperature	Min: -30°C ;Max: +70°C

Reference Standards	EN 63000:2018, EN 60309 1:1999/A1AC:2014, EN 60309-2:1999, EN 60309-2:1999/A1:2007, EN 60309 1:1999/A2:2012, EN 60309-1:1999/A1:2007, EN 60309-2:1999/A2:2012, EN 50581:2012, EN 60309-1:1999
---------------------	---

The images are purely indicative. Palazzoli reserves the right to make changes without notice.