

## Cable gland series **NEV** for armoured cables from 3/8" to 4"

NEV series cable glands are suitable for use in areas with the risk of explosion, allowing the direct insertion of armoured cables in explosion proof enclosures. They are supplied with a sealing ring which is stretched over the cable at the inlet ensuring the anti-loosening, 'Ex d' execution, and a second compression ring which is stretched over the cable armour at the outlet to guarantee an IP 66/68 protection rating. The result is a cable gland which provides maximum performance in terms of reliability and safety over time, is compatible with a wide range of the main, commercially available cables, and complies with the most recent applicable regulations. Their structure makes them suitable for environments which are particularly difficult, such as marine environments, or where there are subjected to the mechanical stresses and impacts which often occur in heavy industry, where safety is the utmost priority.



<b>Classification:</b> 2014/34/EU	<b>Group II</b>	<b>Category 2GD/3G</b>
<b>Installation:</b> EN 60079.14	<b>zone 1 - zone 2 (Gas)</b>	<b>zone 21 - zone 22 (Dust)</b>
<b>Marking:</b>	CE 0722 Ex II 2 GD - Ex db IIC Gb - Ex eb IIC Gb II 2 D - Ex tb IIIC Db II 3G Ex nR IIC Gc - IP66/68	
<b>Certification:</b>	<b>ATEX (category 2):</b>	<b>IMQ 17 ATEX 016X</b>
	<b>ATEX (category 3):</b>	<b>IMQ 17 ATEX 017X</b>
	<b>IEC Ex</b>	<b>IECEx IMQ 17.0010X</b>
	<b>TR CU</b>	<b>AVAILABLE</b>
<b>Standards:</b>	CENELEC EN 60079-0: 2012+A11:2013, EN 60079-1: 2016, EN 60079-7: 2015, EN 60079-15: 2012, EN 60079-31: 2015 and EUROPEAN DIRECTIVE 2014/34/EU IEC60079-0: 2011 IEC60079-1: 2014 IEC60079-7: 2015 IEC60079-15: 2015 IEC60079-31: 2013 RoHS Directive 2002/95/EC	
<b>Operating temperature:</b>	<b>-60 °C +130 °C</b>	
<b>Protection rating:</b>	<b>IP66/68 (30 meters - 12 hours)</b>	
<b>Design</b>	<b>BS 6121: Part 1:1989, IEC 62444, EN 62444</b>	

All IEC Ex and TR CU certification data can be downloaded at [www.cortemgroup.com](http://www.cortemgroup.com)

### Interactive Point



See Video with assembly instructions for NEV.. (light armoured)



See Video with assembly instructions for NEV.. (heavy armoured)

Certificates are available on [www.cortemgroup.com](http://www.cortemgroup.com)

### ACCESSORIES UPON REQUEST

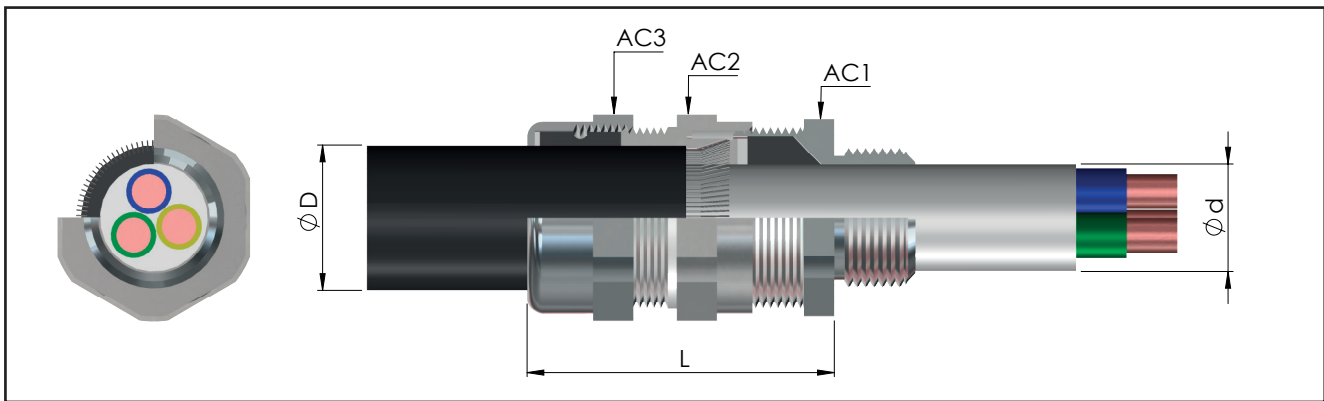
Locknuts	ISO thread	Nickel-plated brass	Galvanized steel	Stainless steel	Sealing ring for flat/healing cables	Black TPV protector	Cableglands	Code	
	M12x1,5	<b>DL02IB</b>	<b>DL02IG</b>	<b>DL02IS</b>			NEV01NB	NEV16IB	<b>PGA1F</b>
	M16x1,5	<b>DL01IB</b>	<b>DL01IG</b>	<b>DL01IS</b>			NEV1SNB	NEV20SIB	<b>PGA1N</b>
	M20x1,5	<b>DL1IB</b>	<b>DL1IG</b>	<b>DL1IS</b>			NEV1NB	NEV20IB	<b>PGA1</b>
	M25x1,5	<b>DL2IB</b>	<b>DL2IG</b>	<b>DL2IS</b>			NEV2NB	NEV25IB	<b>PGA2N</b>
	M32x1,5	<b>DL3IB</b>	<b>DL3IG</b>	<b>DL3IS</b>			NEV3NB	NEV32IB	<b>PGA4</b>
	M40x1,5	<b>DL4IB</b>	<b>DL4IG</b>	<b>DL4IS</b>			NEV4NB	NEV40IB	<b>PGA4</b>
	M50x1,5	<b>DL5IB</b>	<b>DL5IG</b>	<b>DL5IS</b>			NEV5SNB	NEV50SIB	<b>PGA5</b>
	M63x1,5	<b>DL6IB</b>	<b>DL6IG</b>	<b>DL6IS</b>			NEV5NB	NEV50IB	<b>PGA5N</b>
	M75x1,5	<b>DL7IB</b>	<b>DL7IG</b>	<b>DL7IS</b>			NEV6SNB	NEV63SIB	<b>PGA6</b>
	M90x1,5	<b>DL8IB</b>	<b>DL8IG</b>	<b>DL8IS</b>			NEV6NB	NEV63IB	<b>PGA7</b>
	M100x1,5	<b>DL10IB</b>	<b>DL10IG</b>	<b>DL10IS</b>			NEV7SNB	NEV75SIB	<b>GTR7</b> Heat shrinkable
M115x1,5	<b>DL115IB</b>	<b>DL115IG</b>	<b>DL115IS</b>	NEV7NB	NEV75IB				
				NEV8NB	NEV90IB				
							NEV9NB	NEV100IB	
							NEV10NB	NEV115IB	

Nickel-plated brass earthing rings	ISO thread	Nickel-plated brass	Stainless steel	Serrated stainless steel lock washers	Code	Adapters and reducers of the RE... series
	M12x1,5	<b>A0231B</b>	<b>A0231S</b>		<b>RD102IS/A4</b>	
	M16x1,5	<b>A0131B</b>	<b>A0131S</b>		<b>RD101IS/A4</b>	
	M20x1,5	<b>A1311IB</b>	<b>A1311IS</b>		<b>RD11IS/A4</b>	
	M25x1,5	<b>A2312IB</b>	<b>A2312IS</b>		<b>RD12IS/A4</b>	
	M32x1,5	<b>A3313IB</b>	<b>A3313IS</b>		<b>RD13IS/A4</b>	
	M40x1,5	<b>A4314IB</b>	<b>A4314IS</b>		<b>RD14IS/A4</b>	
	M50x1,5	<b>A5315IB</b>	<b>A5315IS</b>		<b>RD15IS/A4</b>	
	M63x1,5	<b>A6316IB</b>	<b>A6316IS</b>		<b>RD16IS/A4</b>	
	M75x1,5	<b>A731B</b>	<b>A731S</b>			
	M90x1,5	<b>A831B</b>	<b>A831S</b>			
	M100x1,5	<b>A10310IB</b>	<b>A10310IS</b>			
M115x1,5	<b>A1031B</b>	<b>A1031S</b>				

\* For different threads, contact the sales department.

## Cable gland series **NEV** for armoured cables from 3/8" to 4"

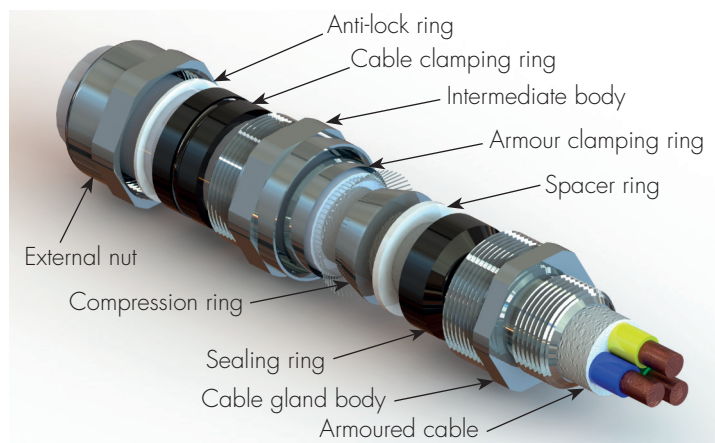
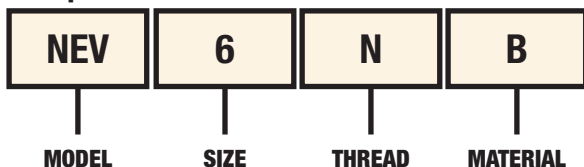


### CABLE GLAND SELECTION TABLE

Code Nickel-plated brass	Thread	Code Nickel-plated brass	Thread	Dimensions in mm				Range		Armour thickness	Weight Kg
				AC1	AC2	AC3	L	Ød min-max Internal cable sheath	ØD min-max Outer sheath of the cable		
NEV01NB	1/4" NPT	NEV12IB	M12x1,5	18	18	18	58	3.0 - 6.0	6 - 10.0	0.2 - 1.3	0,100
NEV01NB	3/8" NPT	NEV16IB	M16x1,5	24	24	24	59	3.5 - 8.6	6 - 13.2	0.2 - 1.3	0,145
NEV1SNB	1/2" NPT	NEV20SIB	M20x1,5	24	26	26	59	6.3 - 11.6	9.5 - 16	0.2 - 1.3	0,157
NEV1NB	1/2" NPT	NEV20IB	M20x1,5	30	32	32	61	6.5 - 14	12.5 - 21	0.2 - 1.4	0,215
NEV2NB	3/4" NPT	NEV25IB	M25x1,5	36	38	38	61	11 - 20	20 - 27.5	0.2 - 1.6	0,261
NEV3NB	1" NPT	NEV32IB	M32x1,5	45	47	47	72	17 - 27	23.5 - 34	0.2 - 2.0	0,433
NEV4NB	1 1/4" NPT	NEV40IB	M40x1,5	50	52	52	73	22 - 32	26 - 40	0.2 - 2.2	0,514
NEV5SNB	1 1/2" NPT	NEV50SIB	M50x1,5	55	57	57	80	29.5 - 38	35 - 46.5	0.2 - 2.5	0,610
NEV5NB	2" NPT	NEV50IB	M50x1,5	62/60*	62	62	81	35.5 - 44	38 - 53	0.2 - 2.5	0,562
NEV6SNB	2" NPT	NEV63SIB	M63x1,5	68	75	77	91	40 - 50	45.5 - 59.5	0.2 - 2.5	1,151
NEV6NB	2 1/2" NPT	NEV63IB	M63x1,5	75/73*	80	82	93	47 - 56	54.5 - 66	0.2 - 2.5	1,100
NEV7SNB	2 1/2" NPT	NEV75SIB	M75x1,5	80	85	90	97	53 - 62	57 - 72	0.2 - 2.8	1,308
NEV7NB	3" NPT	NEV75IB	M75x1,5	90/85*	95	100	99	59 - 68	66.5 - 78.5	0.2 - 2.8	1,538
NEV8NB	3" NPT	NEV90IB	M90x1,5	100	105	110	104	66 - 79	76.5 - 90	0.2 - 2.8	2,000
NEV9NB	3 1/2" NPT	NEV100IB	M100x1,5	115	120	120	111	76 - 91	86 - 101	0.2 - 3.3	2,381
NEV10NB	4" NPT	NEV115IB	M115x1,5	120	125	130	112	86 - 98	100 - 110	0.2 - 3.5	2,783

\* Dimensions with threaded: NPT / ISO

#### Sample order code



#### TECHNICAL NOTES:

- Silicone o-rings are supplied for cylindrical threads (ISO metric) for the pre-assembled IP seal on the cable gland
- The ISO7/1 thread version is available upon request (sample code NEV1B)
- Also available in stainless steel AISI 316 (sample code NEV1S)
- Other materials on request
- For "Ex i" intrinsic safety version, RAL 5015 blue nut (sample code NEV1SIA)
- Internal ring for armoured cables with larger cross-section