

dHH Explosion-proof signal horn

- Loud, explosion-proof electromechanical signal horn with a typical horn tone
- Certified for use in gas and dust hazardous areas of zone 1, 2, 21, 22
- Flame-proof enclosure "d"
- Terminal connection chamber "increased safety e"
- Housing made of glass-fibre-reinforced plastic
- Degree of protection IP 66, max. 105 dB (A) in 1 m
- Protection class II, no equipotential bonding required
- robust design
- Model with integrated telephone-call current relay available

II 2 G Ex d e IIC T5, T6 Gb

II 2 D Ex tb IIIC T95 °C, T80 °C Db

-20 °C ≤ Ta ≤ +75 °C T5

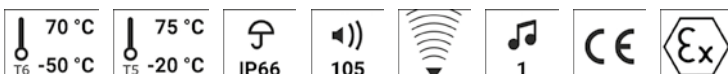
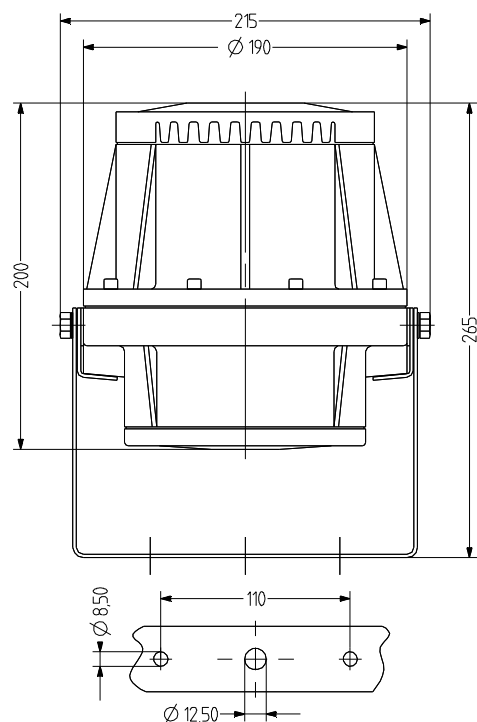
-20 °C ≤ Ta ≤ +70 °C T6

Zone 1, 2, 21, 22



TECHNICAL DATA

Housing	Ø 190 mm, glass-fibre-reinforced polyester black (RAL 9005)
Type of mounting	any with rotatable bracket mounting, sound outlet preferably at front or bottom
Cable entry	1× cable gland M20 × 1.5, 1× sealing plug M20 × 1.5
Connection technology	1.5 mm ² fine wire and 2.5 mm ² single wire
Tone	Steady tone
Volume	max. 105 dB
Duty cycle	100 %
Operating temperature	-20 °C / +75 °C [T5] -50 °C / +70 °C [T6]
Degree of protection	IP66
Approval	PTB 01 ATEX 1133
Insulation class	II
Weight	5,5 kg



dHH

ORDER DATA

Type	Nominal voltage	Voltage range (V)	Nominal current (A)	Telephone call current relay	Order number
dHH	24 V DC	+ 10 %/- 15 %	0,300		300 000 005
	230 V AC	+ 10 %/- 15 %	0,070		300 000 113

