



**DNH**  
Kjærgaas  
KORWAY  
CERTIFIED ACC. TO  
ISO 9001

TYPE: 110  
SERIAL NO.: 100 2000000

DATE: 04/70

CE

TYPE	110
SERIAL NO.	100 2000000
DATE	04/70
CE	

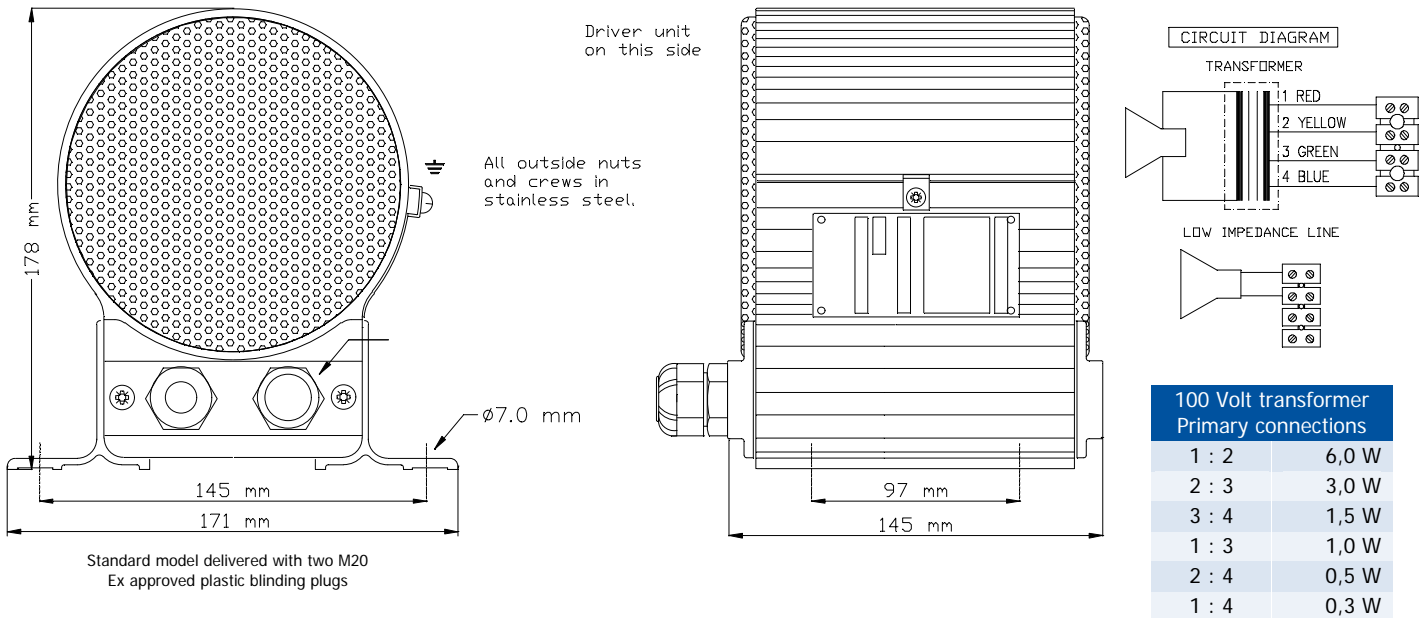
DNH  
Kjærgaas  
KORWAY  
CERTIFIED ACC. TO  
ISO 9001

TYPE: 110  
SERIAL NO.: 100 2000000

DATE: 04/70

CE

TYPE	110
SERIAL NO.	100 2000000
DATE	04/70
CE	



Certified by/ Certification code / Number: NEMKO / EEx de IIB+H2 T6 Gb/ Nemko 10 ATEX 1054  
IECEX NEM 11.0016



Sound pressure levels at 1W/1m  
SPL vs Freq



Specifications

Material / Color	Aluminum / Anodized
Mounting	Foot Bracket
Termination	e-chamber, screw terminals
Weight w/transformer	3,6 kg
IP-rating (e-chamber)	67
Max. / min. amb. temp	40°C / -20°C
Rated / max. power	6 W / 15 W
SPL 1W/1m	90 dB
SPL rated power	97 dB
Effective freq. range	160 – 16000 Hz
Dispersion (-6dB) 1kHz / 4kHz	200° / 40°
Directivity factor, Q 1kHz	1,8
Options	Impedances, colors, labels

## Installation, Operation and Maintenance Procedures

- Fasten loudspeaker to wall or ceiling with four screws by use of the extruded aluminum brackets on each side.
- Enter the e-chamber by loosening the screws on the lid and terminate the cable in the screw terminal.
- Fasten lid screws with a torque of 2 – 2,2 Nm to assure the IP rating.
- For optimum performance, always use the correct voltage / power and operate within the frequency limits as stated.
- Use only certified/specified cable glands and blanking plugs.
- Standard model delivered with two M20 Ex approved plastic blinding plugs.
- Do not open loudspeaker when energized.
- Ex-loudspeakers must be earthed correctly using the specially marked screws.
- This loudspeaker is supplied with a two years warranty against defective workmanship.