

DATASHEET - SB 125-1 Ex SOUNDER / BEACON

AUDIBLE & VISUAL SIGNALLING EQUIPMENT



DESCRIPTION - SB 125-1 Ex SOUNDER / BEACON

This combined is certified for use in Atex/explosive atmosphere, zone 1 & 2 for gas and zone 21 & 22 for dust. It is dedicated for Oil & Gas, chemical, petrochemical, pharmacy industries, marine and Offshore applications. It's designed for corrosive environments and hazardous area.

This sounder, according to user control system, can be set with one tone among 59 prerecorded tones.

The beacon can be delivered with two different light sources; LED with steady, rotary, fixed or blinking led of different powers. Flashing with XENON tube of different powers.

Four flashing frequencies are selectable.

Optional it is possible to control the beacon and the sounder or separately via a telephone line.



- zone 1 & 2
- zone 21 & 22

Housing is made of stainless steel 316L covered with UV resistant paint.

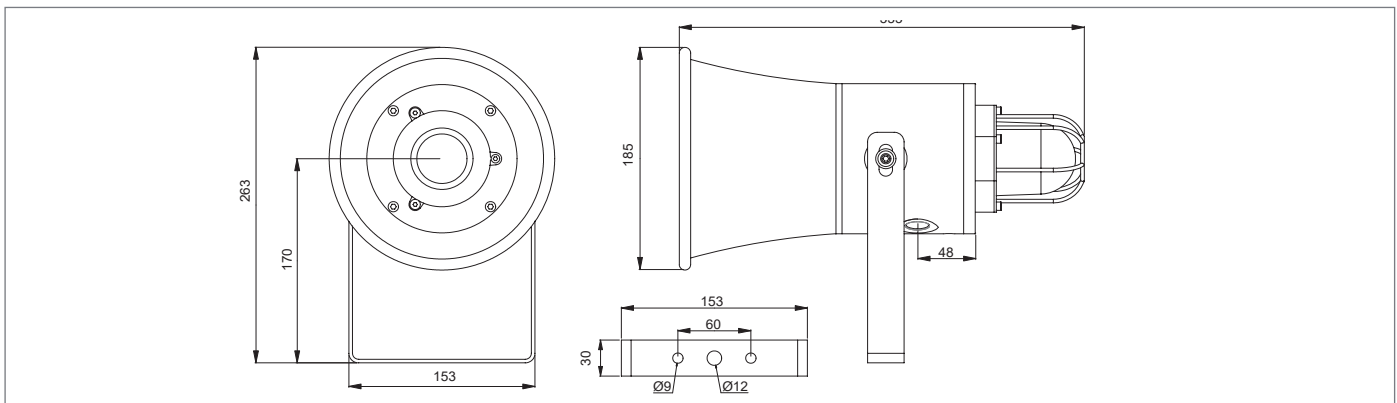
A complete range of accessories is available to customize a products. (see accessories annex)

PRODUCT CODE CONFIGURATOR

LENS COLOUR	TYPE	POWER	VOLTAGE	DUTY LABEL	TAG LABEL	LENS GUARD	CABLE ENTRY	FINISH COLOUR	TELEPHONE INITIATED
<input type="checkbox"/> R = RED	X = XENON	05 LED: 5W XENON: 5J	DC 12 .. 48V DC	Y = YES	Y = YES	Y = YES	A = M20	<input type="checkbox"/> RD = RED	Y = YES
<input type="checkbox"/> A = AMBER		10 LED: 10W XENON: 10J	AC1 12..48V AC				B = M25	<input type="checkbox"/> YW = YELLOW	
<input type="checkbox"/> B = BLUE		15 XENON: 15J	AC 100 .. 240V AC				C = 1/2" NPT	<input type="checkbox"/> BU = BLUE	
<input type="checkbox"/> G = GREEN	L = LED	21 XENON: 21J	OR (OTHER REQUEST)	N = NO	N = NO	N = NO	D = 3/4" NPT	<input type="checkbox"/> BL = BLACK	N = NO
<input type="checkbox"/> C = CLEAR								<input type="checkbox"/> OR = OTHER ON REQUEST	

ADD THE CODES RELATED TO THE FEATURES REQUIRED TO SB125-1:


--	--	--	--	--	--	--	--	--



DATASHEET - SB 125-1 Ex SOUNDER /BEACON

AUDIBLE & VISUAL SIGNALLING EQUIPMENT

TECHNICAL DATA

MATERIAL	• ENCLOSURE & BRACKET: Stainless steel 316L	• LENS: Tempered borosilicate glass 3.3
COLOUR	• RED : RAL 3001 - YELLOW** : RAL1018 - BLUE** : RAL5005 - BLACK** : RAL9005	
INGRESS PROTECTION	• IP66/67	
AMBIENT TEMPERATURE FOR OPERATION	• T6 = - 40°C ~ + 55°C , T5 = - 40°C ~ + 60°C, T4 = - 40°C ~ + 70°C	
CERTIFICATION	• Nemko 13 ATEX 1566X, IECEx NEM 13.0036X	
EX CODE	•  II 2 GD Ex d IIC T4 ~ T6 Gb, Ex tb IIIC T135°C ~T85°C,	
STANDARD	• EN / IEC 60079-0, EN / IEC 60079-1, EN / IEC 60079-31, EN 54-3	
ATEX AREA ZONE	• Gas zone: 1 & 2 Dust zone: 21 & 22	
CANDELA LENS COLOR	• Red: 0.15	• Amber: 0.51
LIGHT TYPE	• Blue: 0.12	• Green: 0.49
		• Clear: 1
TRUE LIGHT INTENSITY	Flash tube (XENON)	LED
	• 5 joules = 109 Cd	• 10 joules = 293 Cd
	• 15 joules = 395 cd	• 21 joules = 424 Cd
PEAK LIGHT INTENSITY	• 5 joules = 35970 Cd	• 10 joules = 66804 Cd
	• 15 joules = 83345 Cd	• 21 joules = 95824 Cd
TIME LIFE	• Emissions are reduced to 70% after 8 million flashes	
BLINKING OR ROTARY FREQUENCY (0 = steady status)	• 60/80/120 times/min • 100/120/150 times/min • 120/150/180 times/min	• >50 000 hours without luminosity decreasing • 60/75/0 times/min • 60/75/100 times/min • 75/95/0 times/min • 75/95/120 times/min
CONSUMPTION BEACON	• 5 Joules = 10W	• 10 Joules = 15W
	• 15 Joules = 20W	• 21 Joules = 25W
AMBIENT HUMIDITY*	• until 95%*	
POWER SUPPLY	• 12-48V DC	• 12-48V AC (50/60hz)
		• 100-240V AC (50/60hz)
RATED IMPULSE WITHSTAND VOLTAGE	• 1kV following IEC 61000-4-5	
WORKING CURRENT LED	Power	12V DC
	• 5W	530 mA
	• 10W	1100 mA
		24V DC
		260 mA
		530 mA
		48V DC
		120 mA
		240 mA
		110V AC
		80 mA
		160 mA
		220V AC
		40 mA
		80 mA
WORKING CURRENT XENON	Energy	12V DC
	• 5J	460 mA
	• 10J	850 mA
	• 15J	1200 mA
	• 21J	NA
		24V DC
		280 mA
		490 mA
		700 mA
		960 mA
		48V DC
		140 mA
		250 mA
		360 mA
		480 mA
		110V AC
		60 mA
		100 mA
		140 mA
		180 mA
		220V AC
		35 mA
		60 mA
		80 mA
		110 mA
CONSUMPTION SOUNDER	• Adjustable from 5 to 25W (factory setting 20W)	
CURRENT CONSUMPTION	• 0.5 to 1 A	
SIGNALLING TYPE	• 59 tones siren. Specific customer tones can be recorded in factory	
NOISE LEVEL	• Until 115 dB at 1m	
CABLES ENTRY	• 2 x M20, M25**, 1/2" NPT**, 3/4" NPT** or other** (Specify)	
TERMINAL	• From 22 to 14 AWG - from 0.50 mm ² to 2.5 mm ²	
NET WEIGHT	• 8.0 Kg	
EXTERNAL TRIGGER**	• 25Hz <f<50Hz	40V<u<100V
		Z = 2k Ohms

* = without runoff - ** = optional - cable gland and blind plug not provided

MEANING OF LENS COLOR USAGE IN THE INTERNATIONAL STANDARD (IEC 60073)

COLOR	MEANING	ACTION	EXAMPLE
■ RED	EMERGENT	Dangerous state Take immediate action	• Pressure/Temperature beyond the safe state - Shutdown due to the action of protective devices - Fire alarm - Equipment failure alarm
■ AMBER	ABNORMAL	Abnormal state, near the critical status	• Pressure/Temperature above the normal range - Protective device released - Toxic and harmful gases release alarm
■ GREEN	SAFE	Normal state	• Pressure/Temperature in normal state - Automatic control system is operating normally
■ BLUE	MANDATORY	Requires operator's action	• Emergency evacuation - Abandon rescue and escape - Abandon platform or abandon ship - Enter the command
■ CLEAR	NO SPECIAL SIGNIFICANCE	If uncertainty for other colors, clear is allowed to be used	• General information - Can't exactly use red, yellow, green or blue - Used for the implementation of command - Indicate the measured values