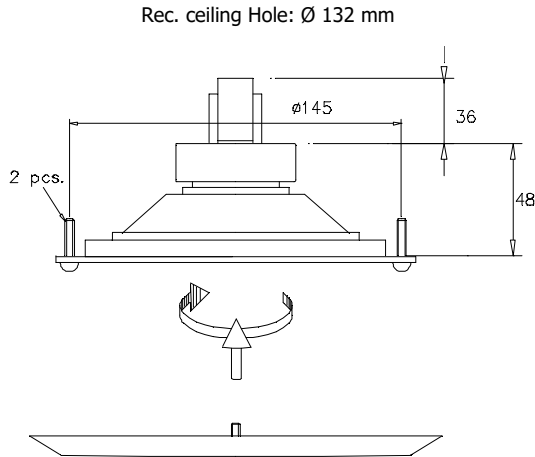
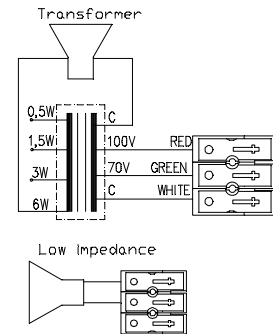


BS-560(T)

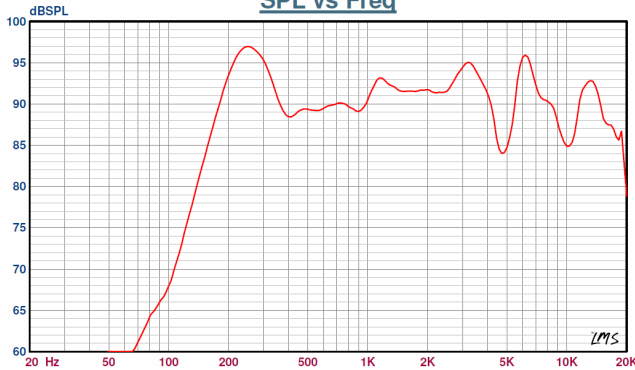


CIRCUIT DIAGRAM



70/100 Volt combined transformer	
Primary connections	
White : Green	70 V
White : Red	100 V
Secondary nominal tapings	
C : 6W	6,0 W
C : 3W	3,0 W
C : 1,5W	1,5 W
C : 0,5W	0,5 W

Sound pressure levels at 1W/1m w/P-5/15T
SPL vs Freq



Specifications

Material / Color	Aluminum / RAL9010
Mounting	2 screws
Termination	Spring clamps
Weight w/transformer	0,66 kg
Max. / min. amb. temp	90°C / -20°C
Rated power	6 W
SPL 1W/1m	90 dB
SPL rated power	97 dB
Effective freq. range	130 – 20000 Hz
Dispersion (-6dB) 1kHz / 4kHz	170° / 60°
Options	Impedances, colors, labels

Installation, Operation and Maintenance Procedures

- Connect cable to terminal (70V or 100V) and select required tapping into the transformer.
- Install loudspeaker to wall/ceiling by 2 screws. Screw loudspeaker grille gently into fixed position.
- For optimum performance, always use the correct voltage / power and operate within the frequency limits as stated.
- Do not open loudspeaker when energized.
- This loudspeaker is supplied with two years warranty against defective workmanship.