

TSC 203 -ANALOG SERVICE PHONE

TELEPHONE / INTERCOM SYSTEM EQUIPMENT



• Weather Proof
IP65

PRODUCT DESCRIPTION

The TSC203 type service telephone is based on a cold rolled steel enclosure, offers increased resistance to vandalism, and ensure that the primary function of communications is maintained at all times.

The TSC203 service telephone have been widely used at highways, railway platforms, university, college campuses, streets, public square, car-parks, police stations, outside buildings, shopping malls, industrial areas, etc.

MAIN FEATURES

- ✓ Robust housing, constructed of cold rolled steel to anti-vandal
- ✓ Standard analog phone, compatibly with main brand PBX
- ✓ Weather protection IP65
- ✓ Can be programmed remotely by tone phone or locally via keypad
- ✓ Telephone line powered
- ✓ Plastic handset with stainless steel armoured handset cord

MECHANICAL DATA

• Housing	Cold rolled steel
• Call method	By dial (keypad version) or pick up handset (without keypad)
• Diameter	240HX 117L X 100Wmm (with handset)
• Package	Carton box 340 X 240 X 160mm
• Weight	Approx. 2.5 kg
• Color	Grey, or red color as demand

ELECTRICAL DATA

• Direct current supply	From the analogue telephone network
• Supply Voltage	24 VDC to 65 VDC
• Supply Current	20 mA DC to 100 mA DC
• Ringer volume	80dB(A) @1 m
• Communication Type	Full duplex

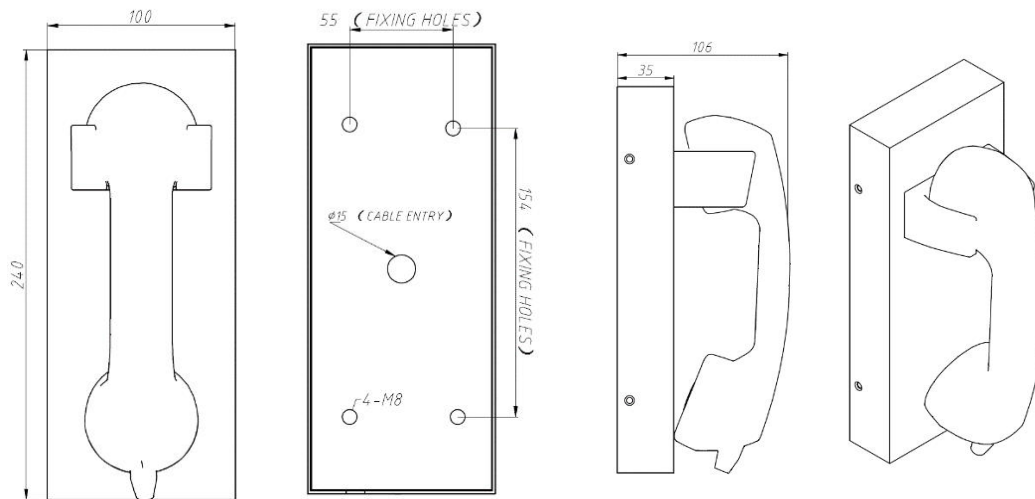
ENVIRONMENT

• Operating temperature	-30°C to +65°C
• Storage temperature	-40°C to +70°C
• Relative humidity (non -condensing)	Max. 95 %
• Degree of protection	IP 65 as per EN60529
• Impact Rating (IK)	IK 10

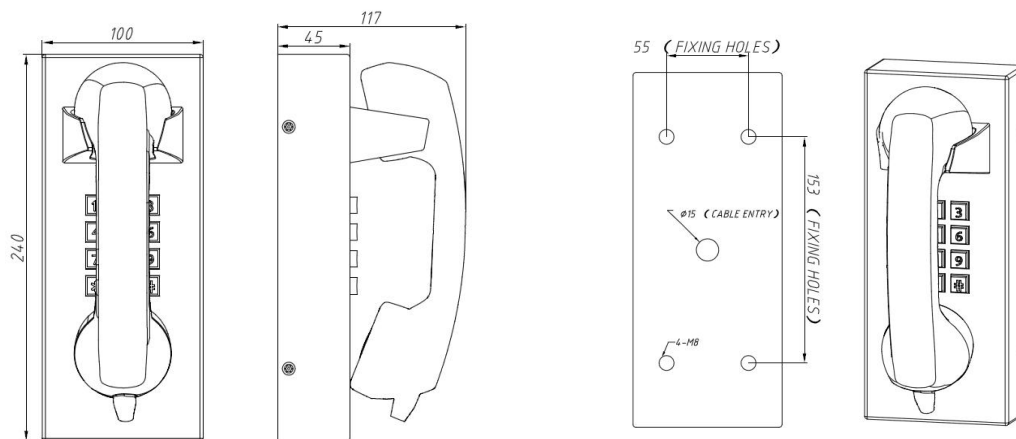
ORDER NUMBER	DESCRIPTION
TSC 203 E1	Analog phone with handset, without keypad.
TSC 203 EC	Analog phone with handset, with keypad.

TSC 203 -ANALOG SERVICE PHONE

TELEPHONE / INTERCOM SYSTEM EQUIPMENT



Size drawing : TSC 203 E1 Type



Size drawing : TSC 203 EC Type