

YA50 Sounder

Datasheet Version 1.0



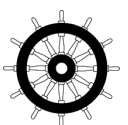
Output: 110dB(A) sounder

32 tones, 2 stages

IP rating: IP65

MED, UL or VDS approvals available

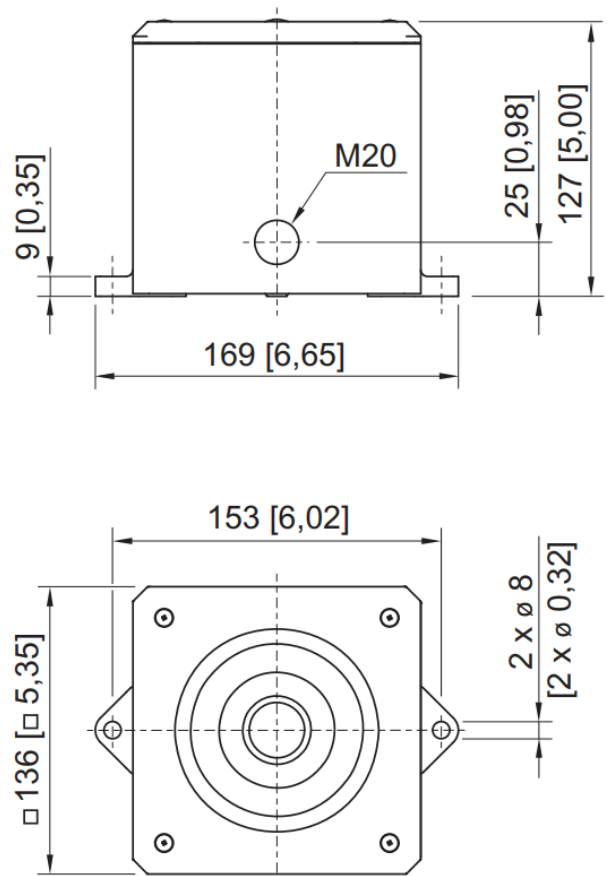
Audio visual
signalling



YA50 Sounder

Datasheet Version 1.0

Sound output	110dB(A)
Alarm tones	32
Alarm stages	2
IP rating	IP65
Storage temp	-40 °C to +70 °C
Operating temp	-25 °C to +55 °C -35 °C to +66 °C (UL variant) -25 °C to +40 °C (VDS variant)
Relative humidity	93% ± 3 at 40 °C
Cable entry	1x M20
Connection	2.5mm ² terminals
Unit material	ABS enclosure, stainless steel fixings
Unit colour	Red



Version/ Certification	Voltage	Model No.	Weight	Current (tone 1)
YA50 Sounder, BS EN 54-3 + MED, standard devices	24Vdc	YA50/D/RF/WR	0.710kg	39mA
	115Vdc	YA50/L/RF/WR	0.810kg	23mA
	230Vdc	YA50/N/RF/WR	0.810kg	15mA
YA50 Sounder, UL certification	24Vdc	YA50/D/RF/UL	0.710kg	39mA
	115Vdc	YA50/L/RF/UL	0.810kg	23mA
	230Vdc	YA50/N/RF/UL	0.810kg	15mA
YA50 Sounder, VDS certification	24Vdc	YA50/D/RF/WR/VDS	0.710kg	39mA
YA50 Sounder, general purpose	24Vac	YA50/I/RF/WR	0.810kg	120mA

Note: Other voltages and variants may be available as specials. Contact our sales team for more details.